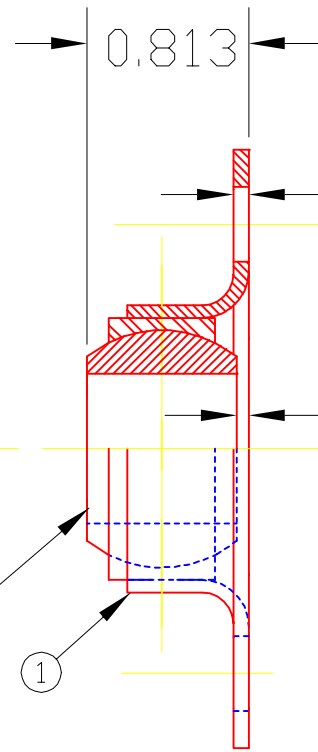
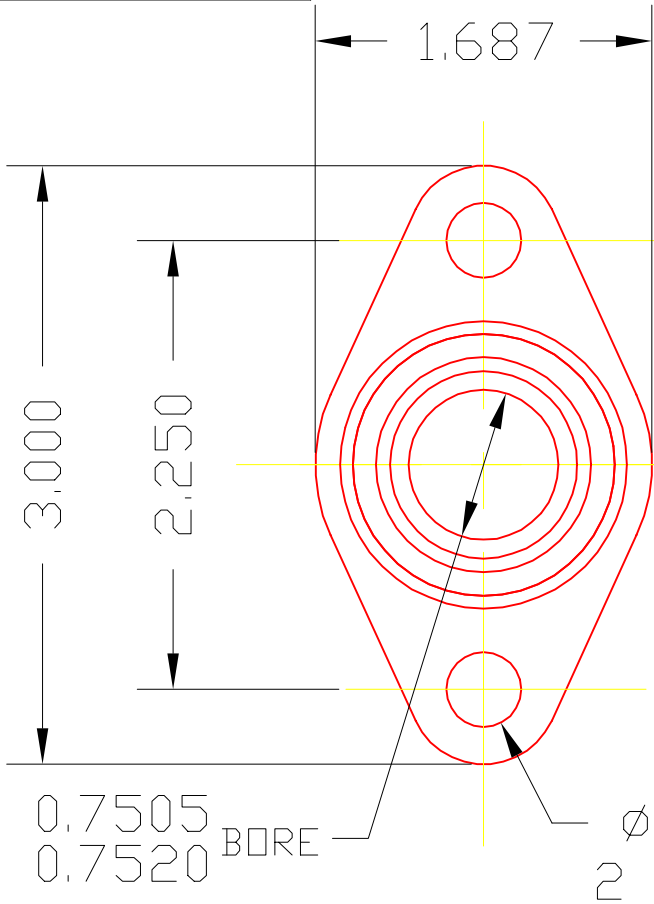
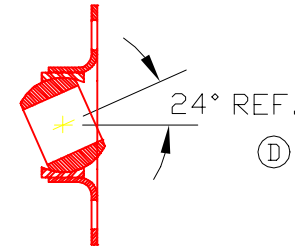


FJW12



200 LBS. MIN. PRESS FIT. (C)

#14 GA.(.078) GALV. STL.



MAXIMUM ROTATION

(A) (E)

3	W12	BALL	1
2	3802-B	RETAINER	1
1	4702	FLANGE	1
DET	PART NUMBER	DESCRIPTION	AMT

A TRIANGLE MANUFACTURING CO.
OSHKOSH, WI.

NAME SIDE FLANGE BRG. ASSY.

USED IN FJ SERIES

DATE 11-5-75

PART NO.

DRAWN BW-88

CHECKED SP

SCALE 1 / 1

FJW12

FIT	SNUG
PLATING	GALV
MATERIAL	MILD STL. & SINT. IRON
ALL DIMS ±.020 UNLESS SPECIFIED	

CHANGE LEVEL
E 04-15-02