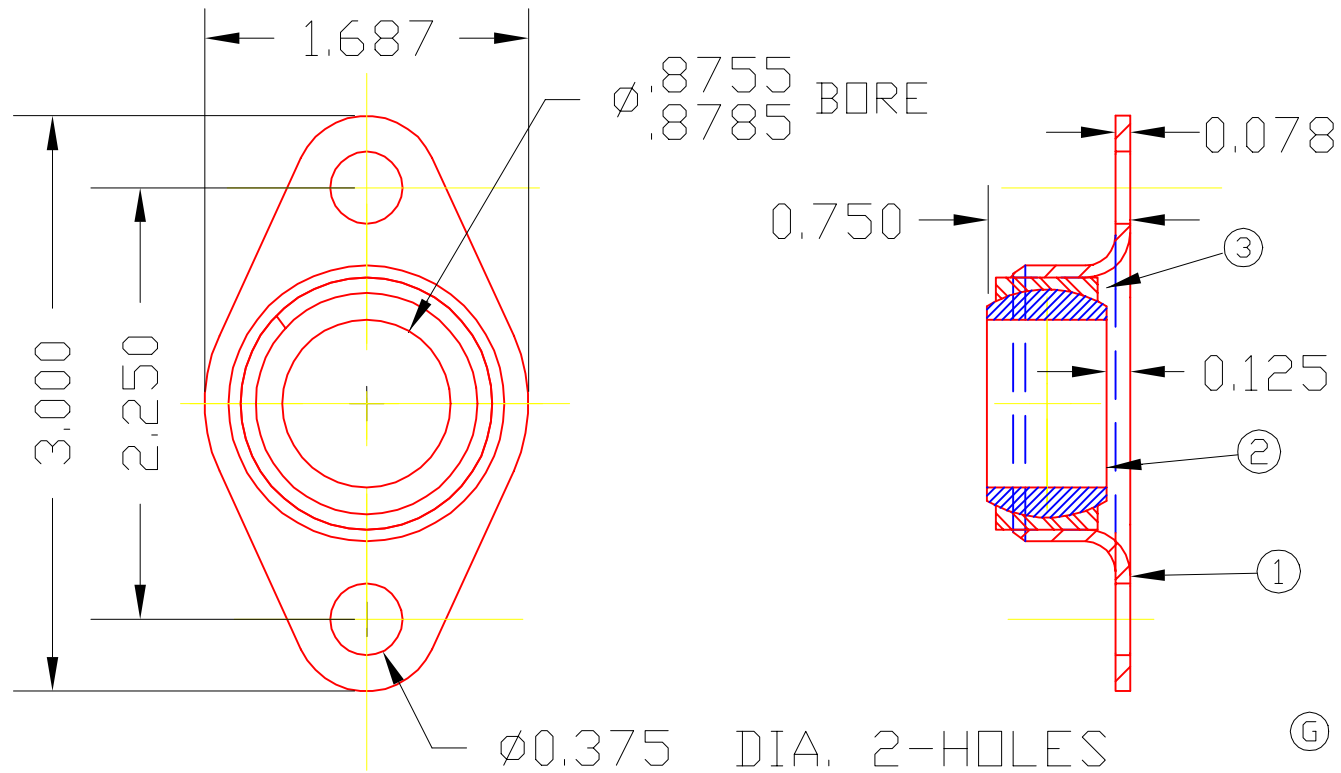


FJW14



3	3802-B	RING	1
2	W14	BALL	1
1	4702	FLANGE	1
DET	PART NUMBER	DESCRIPTION	AMT

△ TRIANGLE MANUFACTURING CO.
OSHKOSH, WI.

NAME SIDE FLANGE

USED IN

DATE 3-15-83 PART NO.

DRAWN SP

CHECKED SP

SCALE 1 / 1

FJW14

200 LBS. MIN. PRESS FIT. (D)

CHANGE LEVEL

H 09-25-03

(H)	FIT DRAG-SNUG
	PLATING GALV
	MATERIAL MILD STL. & SINT. IRON
	ALL DIMS. ±.020 UNLESS OTHERWISE SPECIFIED