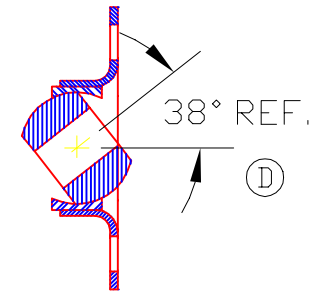
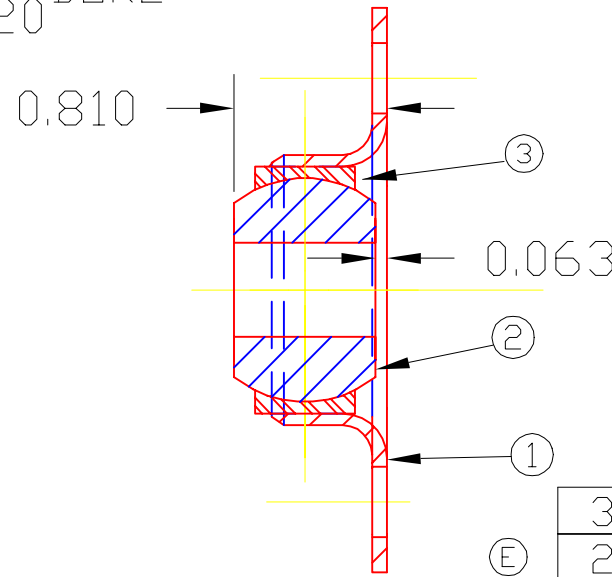
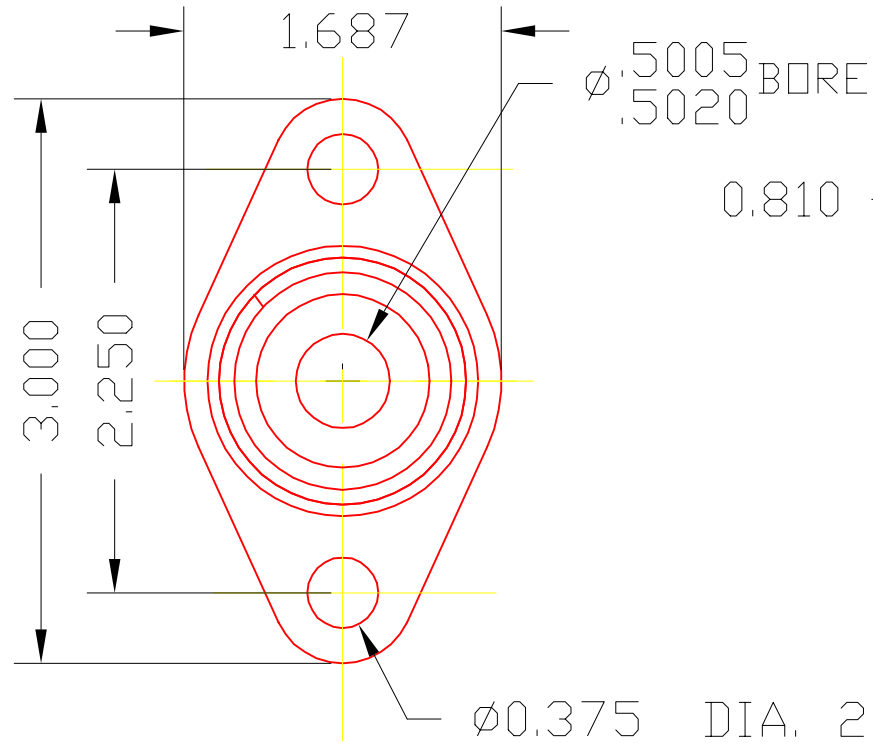


FJW8

200 LBS. MIN. PRESS FIT. (C)



MAXIMUM ROTATION

3	3802-B	RING	1
2	W8	BALL	1
1	4702	FLANGE	1
DET	PART NUMBER	DESCRIPTION	AMT

▲ TRIANGLE MANUFACTURING CO.  
OSHKOSH, WI.

NAME	SIDE FLANGE	
USED IN	////	
DATE	11-11-75	PART NO.
DRAWN	SP	FJW8
CHECKED	SP	
SCALE	1 / 1	

FIT	SNUG
PLATING	GALV
MATERIAL	MILD STL. & SINT. IRON
ALL DIMS. $\pm .020$ UNLESS OTHERWISE SPECIFIED	

CHANGE LEVEL	
E	06-21-02