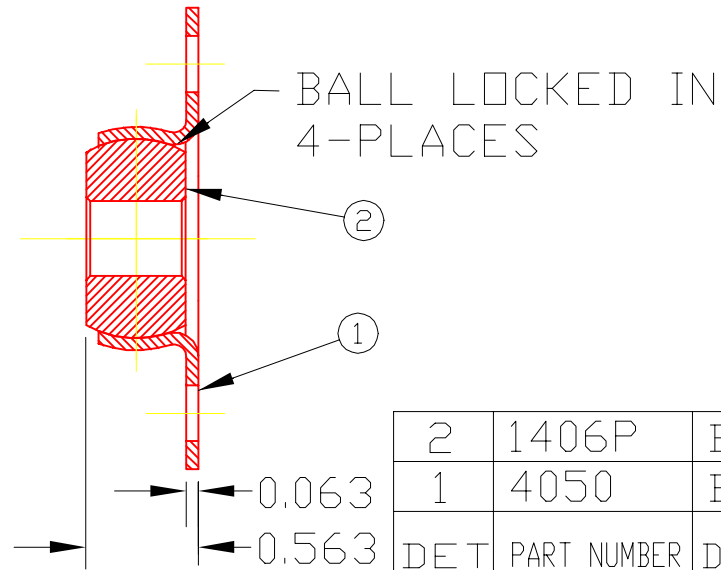
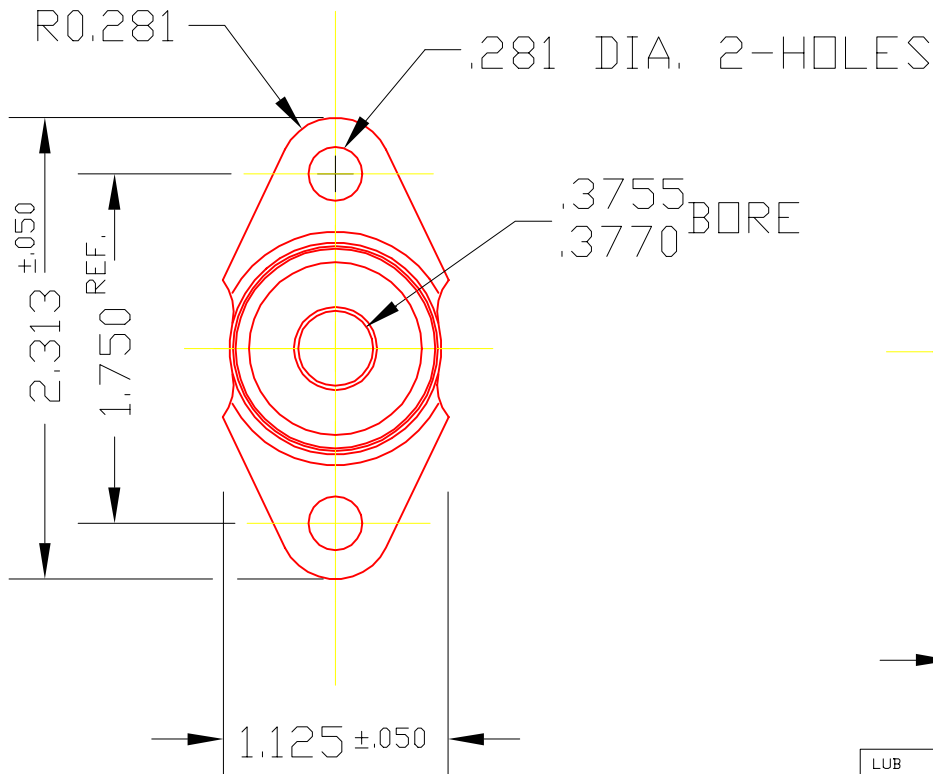


FM1406P

NOTE: ASSEMBLY TO FIT GAGE THAT HAS
.250 DIA. PINS ON 1.750±.001 CENTERS.

PART IDENTIFY WITH TRIANGLE
NAME STAMP



DET	PART NUMBER	DESCRIPTION	AMT
2	1406P	BRG. BALL	1
1	4050	BRACKET	1

▲ TRIANGLE MANUFACTURING CO.
OSHKOSH, WI.

NAME SIDE FLANGE BRG. ASS'Y

USED IN FM SERIES

DATE 3-22-68

PART NO.

DRAWN SP

CHECKED SP

SCALE 1 / 1

FM1406P

LUB	OIL
FIT	SNUG TO TIGHT
PLATING	GALV.
MATERIAL	SEE DETAILS
ALL DIMS ±.020 UNLESS SPECIFIED	

CHANGE LEVEL	
F	8-22-89