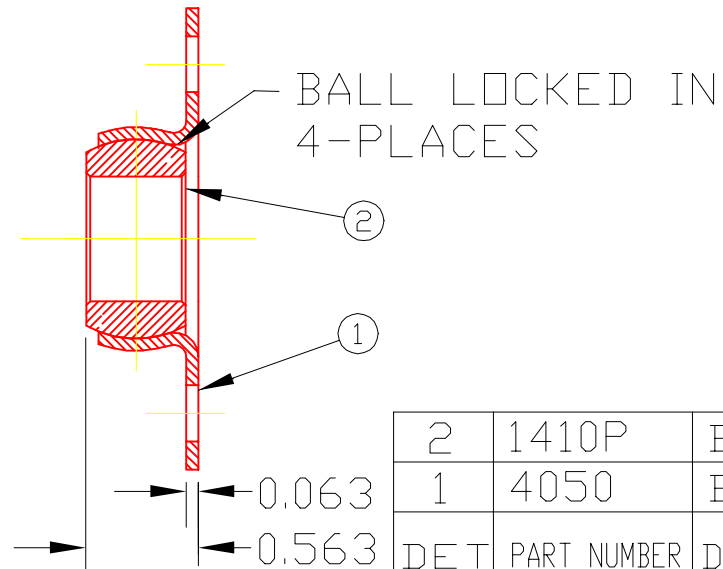
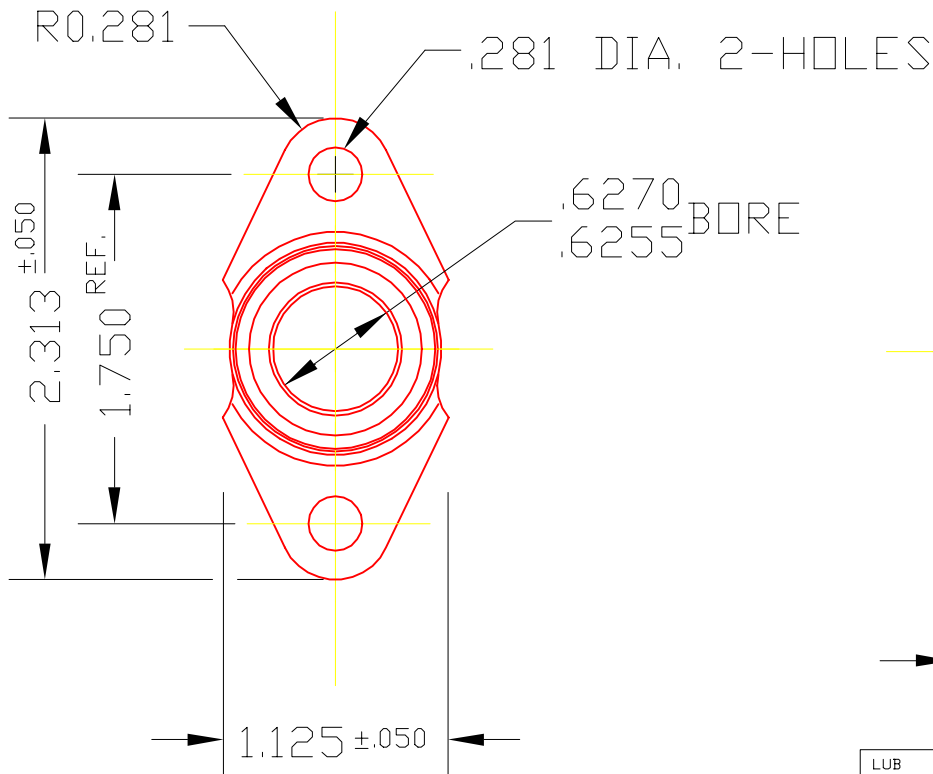


FM1410P

NOTE: ASSEMBLY TO FIT GAGE THAT HAS
.250 DIA. PINS ON 1.750±.001 CENTERS.

PART IDENTIFIED WITH TRIANGLE
NAME STAMP



2	1410P	BRG. BALL	1
1	4050	BRACKET	1
DET	PART NUMBER	DESCRIPTION	AMT

▲ TRIANGLE MANUFACTURING CO.
OSHKOSH, WI.

LUB	OIL
FIT	SNUG TO TIGHT
PLATING	GALV.
MATERIAL	SEE DETAILS
ALL DIMS ±.020 UNLESS SPECIFIED	

NAME SIDE FLANGE BRG. ASS'Y	
USED IN FM SERIES	
DATE 4-2-71	PART NO.
DRAWN SP	FM1410P
CHECKED SP	
SCALE 1 / 1	

CHANGE LEVEL
E 8-22-89