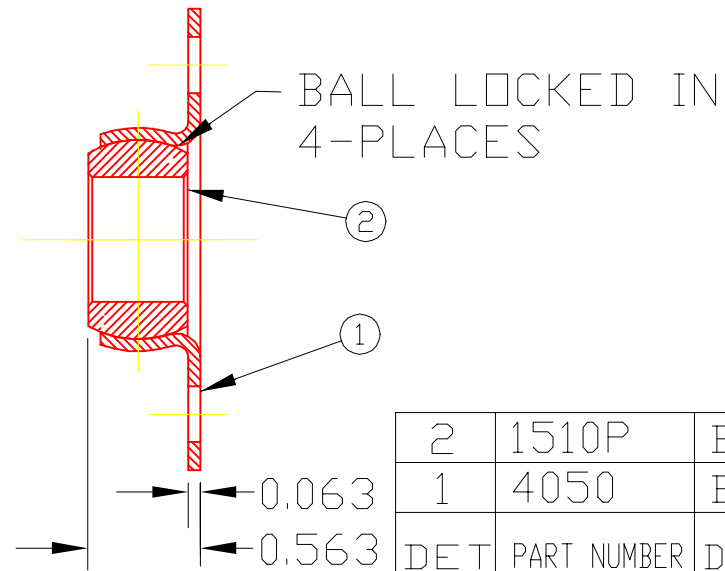
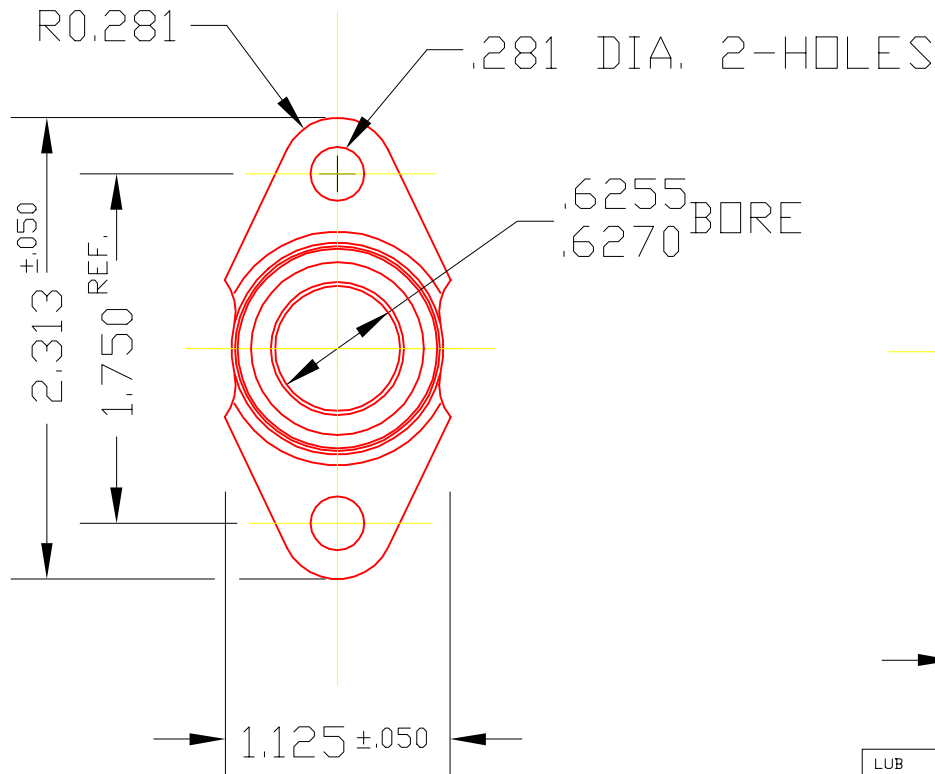


FM1510P

NOTE: ASSEMBLY TO FIT GAGE THAT HAS
.250 DIA. PINS ON 1.750±.001 CENTERS.

PART IDENTIFIED WITH TRIANGLE
NAME STAMP



2	1510P	BRG. BALL	1
1	4050	BRACKET	1
DET	PART NUMBER	DESCRIPTION	AMT

△ TRIANGLE MANUFACTURING CO.
OSHKOSH, WI.

NAME SIDE FLANGE BRG. ASS'Y

USED IN FM SERIES

DATE 3-22-68

PART NO.

DRAWN SP

CHECKED SP

SCALE 1 / 1

FM1510P

LUB	OIL
FIT	SNUG TO TIGHT
PLATING	GALV.
MATERIAL	SEE DETAILS
ALL DIMS ±.020 UNLESS SPECIFIED	

CHANGE LEVEL
F 8-22-89