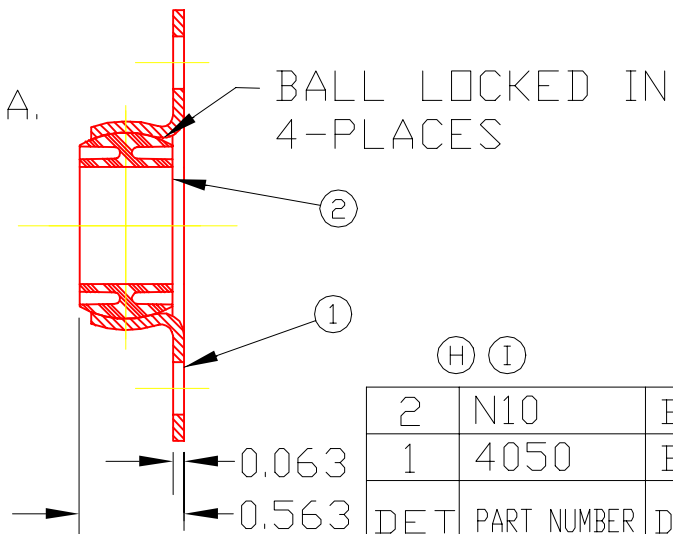
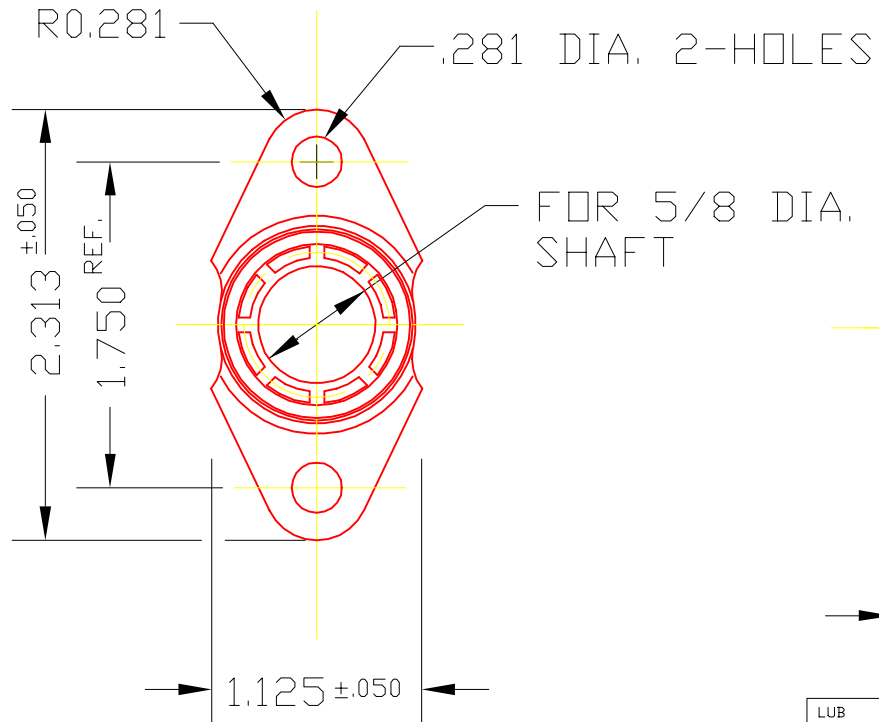


FMN10

NOTE: ASSEMBLY TO FIT GAGE THAT HAS
.250 DIA. PINS ON 1.750±.001 CENTERS.



Ⓜ Ⓡ

2	N10	BRG. BALL	1
1	4050	BRACKET	1
DET	PART NUMBER	DESCRIPTION	AMT

△ TRIANGLE MANUFACTURING CO.
OSHKOSH, WI.

NAME SIDE FLANGE BRG. ASS'Y	
USED IN	FM SERIES
DATE	3-22-68
DRAWN	SP
CHECKED	SP
SCALE	1 / 1

FMN10

LUB	///
FIT	SNUG TO TIGHT
PLATING	GALV.
MATERIAL	SEE DETAILS
ALL DIMS ±.020 UNLESS SPECIFIED	

PART IDENTIFY WITH TRIANGLE
NAME STAMP

CHANGE LEVEL	
I	3-22-95