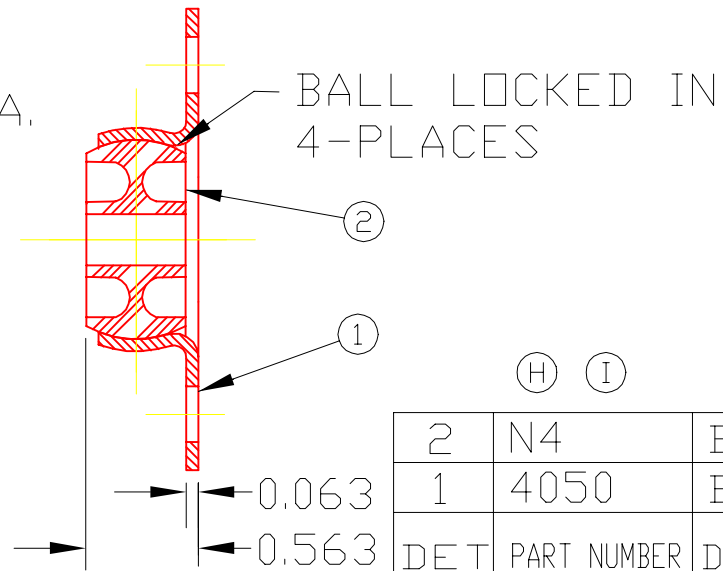
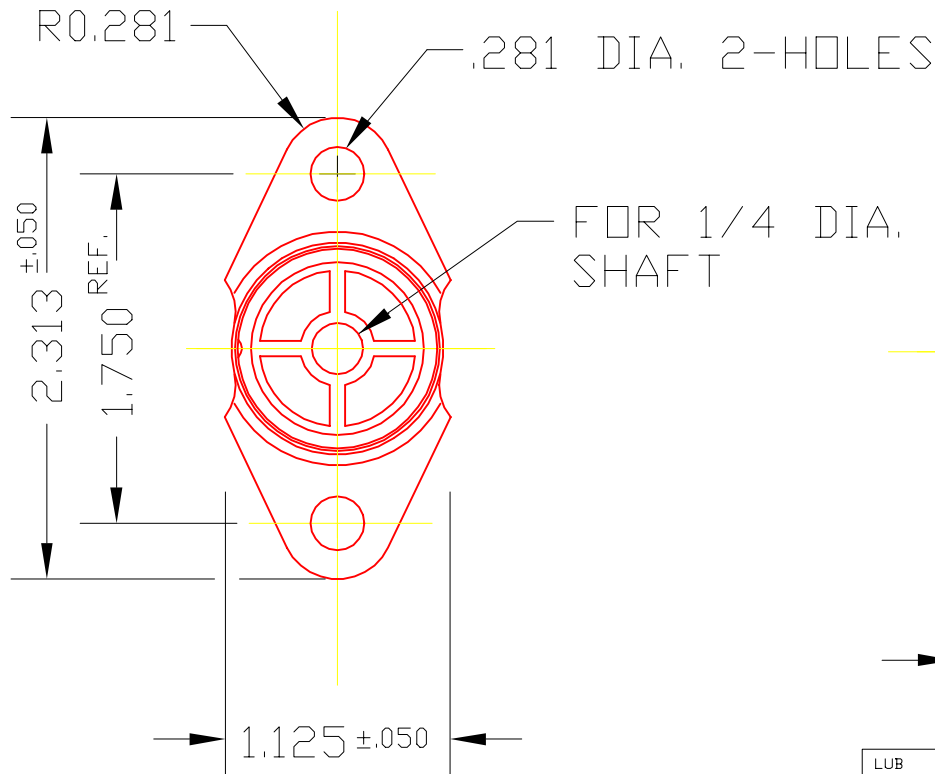


FMN4

NOTE: ASSEMBLY TO FIT GAGE THAT HAS  
.250 DIA. PINS ON 1.750±.001 CENTERS.



(H) (I)

DET	PART NUMBER	DESCRIPTION	AMT
2	N4	BRG. BALL	1
1	4050	BRACKET	1

▲ TRIANGLE MANUFACTURING CO.  
OSHKOSH, WI.

NAME SIDE FLANGE BRG. ASS'Y

USED IN FM SERIES

DATE 3-22-68 PART NO.

DRAWN SP

CHECKED SP

SCALE 1 / 1

FMN4

LUB	///
FIT	SNUG TO TIGHT
PLATING	GALV.
MATERIAL	SEE DETAILS
ALL DIMS ±.020 UNLESS SPECIFIED	

PART IDENTIFIED WITH TRIANGLE  
NAME STAMP

CHANGE LEVEL	
I	3-22-95