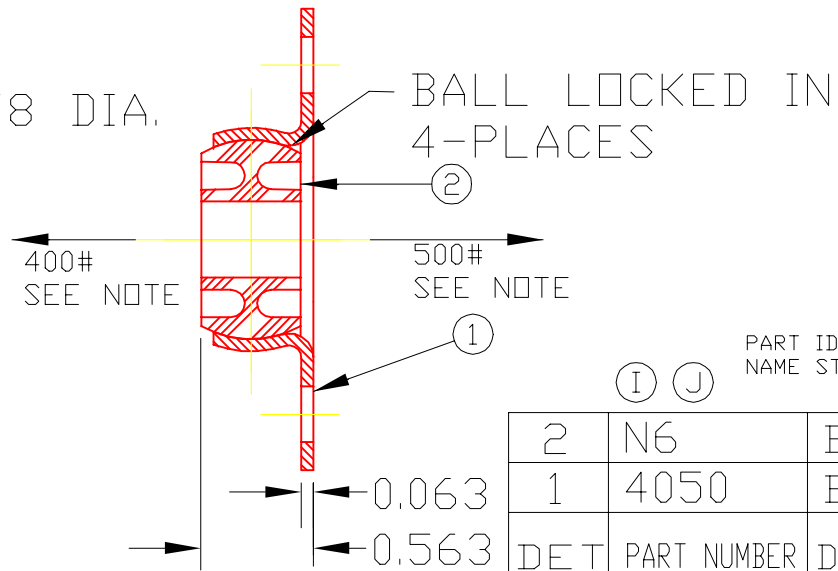
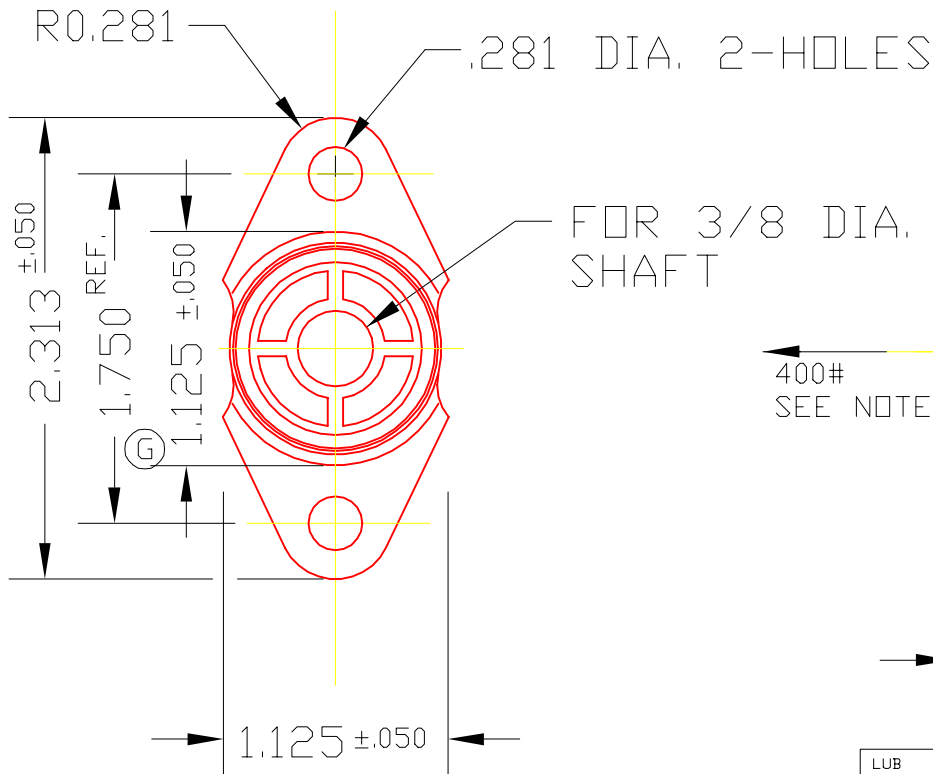


FMN6

NOTE: ASSEMBLY TO FIT GAGE THAT HAS
.250 DIA. PINS ON 1.750±.001 CENTERS.



PART IDENTIFIED WITH TRIANGLE
NAME STAMP

DET	PART NUMBER	DESCRIPTION	AMT
2	N6	BRG. BALL	1
1	4050	BRACKET	1

▲ TRIANGLE MANUFACTURING CO.
OSHKOSH, WI.

NAME SIDE FLANGE BRG. ASS'Y	
USED IN FM SERIES	
DATE 3-22-68	PART NO.
DRAWN SP	FMN6
CHECKED SP	
SCALE 1 / 1	

NOTE: PUSH OUT FORCES ARE WITH
MOUNTING BOLTED IN PLACE.

CHECK WITH FIXTURE

CHANGE LEVEL
J 3-23-95

LUB	///
FIT	SNUG TO TIGHT
PLATING	GALV.
MATERIAL	SEE DETAILS
ALL DIMS ±.020 UNLESS SPECIFIED	