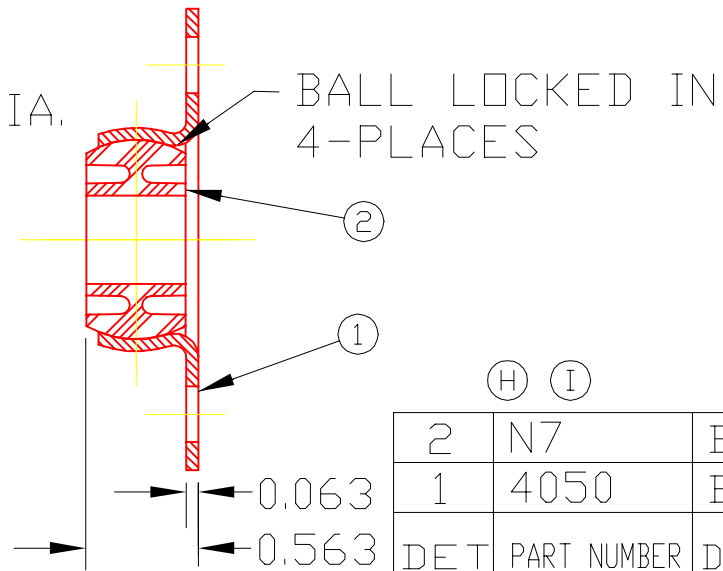
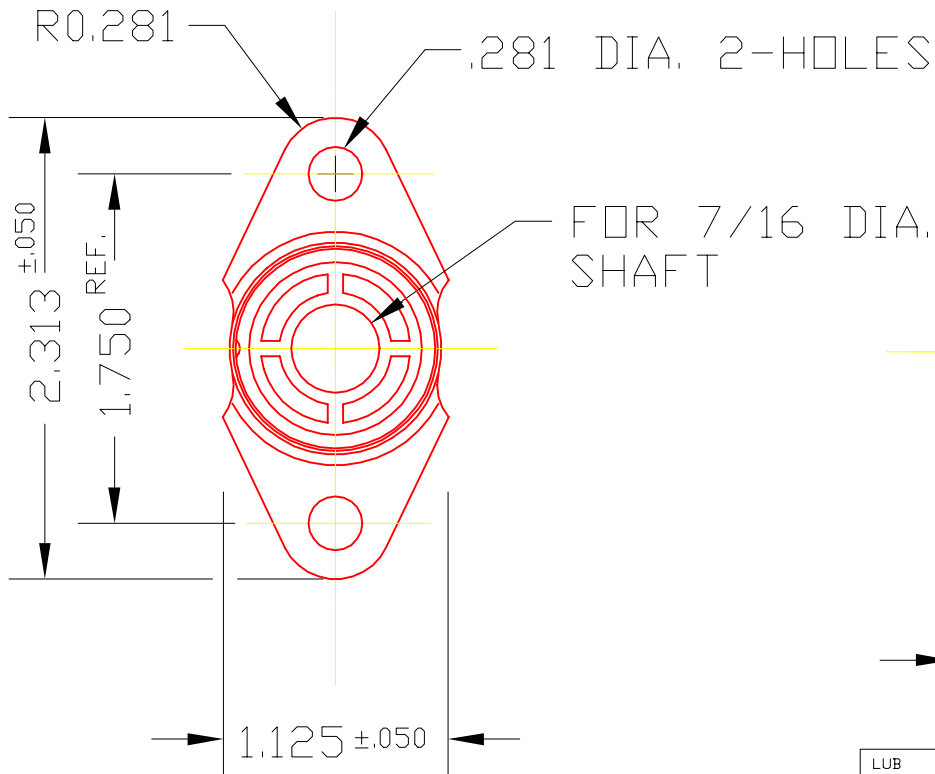


FMN7

NOTE: ASSEMBLY TO FIT GAGE THAT HAS
.250 DIA. PINS ON 1.750±.001 CENTERS.



QTY	PART NUMBER	DESCRIPTION	AMT
2	N7	BRG. BALL	1
1	4050	BRACKET	1

△ TRIANGLE MANUFACTURING CO.
OSHKOSH, WI.

NAME SIDE FLANGE BRG. ASS'Y	
USED IN FM SERIES	
DATE 3-22-68	PART NO.
DRAWN SP	FMN7
CHECKED SP	
SCALE 1 / 1	

LUB	///
FIT	SNUG TO TIGHT
PLATING	GALV.
MATERIAL	SEE DETAILS
ALL DIMS ±.020 UNLESS SPECIFIED	

CHANGE LEVEL
I 03-23-95

PART IDENTIFIED WITH TRIANGLE
NAME STAMP