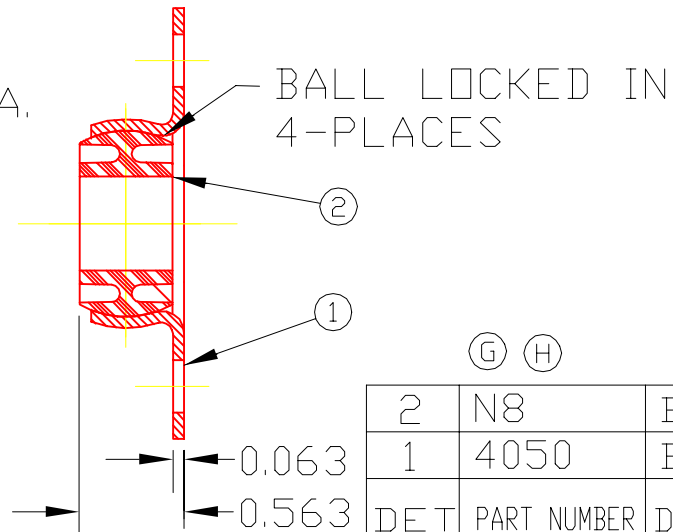
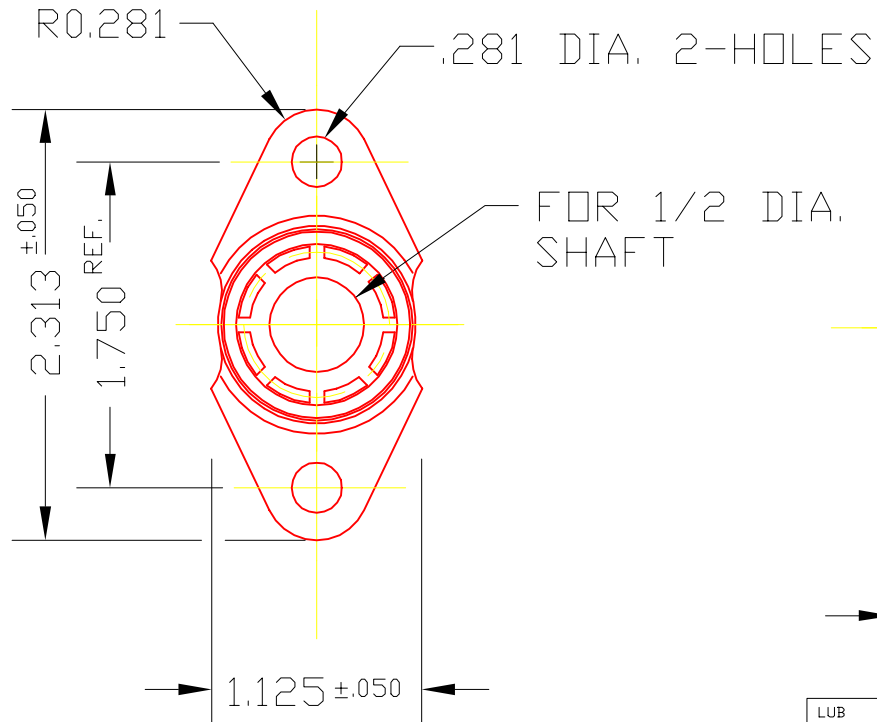


FMN8

NOTE: ASSEMBLY TO FIT GAGE THAT HAS
.250 DIA. PINS ON 1.750±.001 CENTERS.



Ⓔ Ⓕ

DET	PART NUMBER	DESCRIPTION	AMT
2	N8	BRG. BALL	1
1	4050	BRACKET	1

△ TRIANGLE MANUFACTURING CO.
OSHKOSH, WI.

LUB	///
FIT	SNUG TO TIGHT
PLATING	GALV.
MATERIAL	SEE DETAILS
ALL DIMS ±.020 UNLESS SPECIFIED	

NAME SIDE FLANGE BRG. ASS'Y	
USED IN	FM SERIES
DATE	3-22-68
DRAWN	SP
CHECKED	SP
SCALE	1 / 1

FMN8

CHANGE LEVEL
H 03-23-95

PART IDENTIFIED WITH TRIANGLE
NAME STAMP