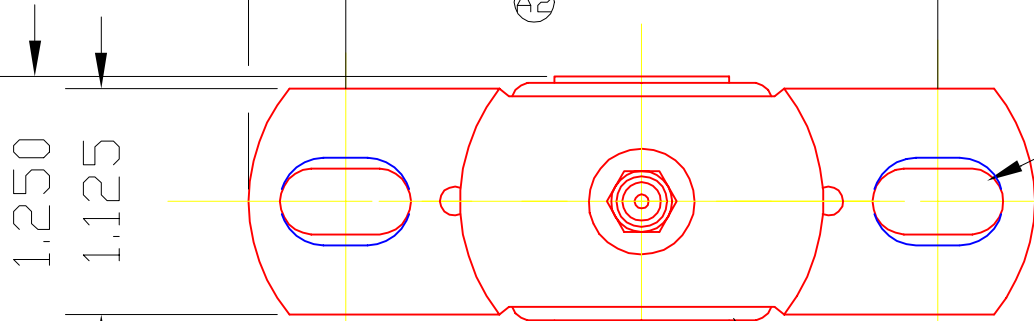


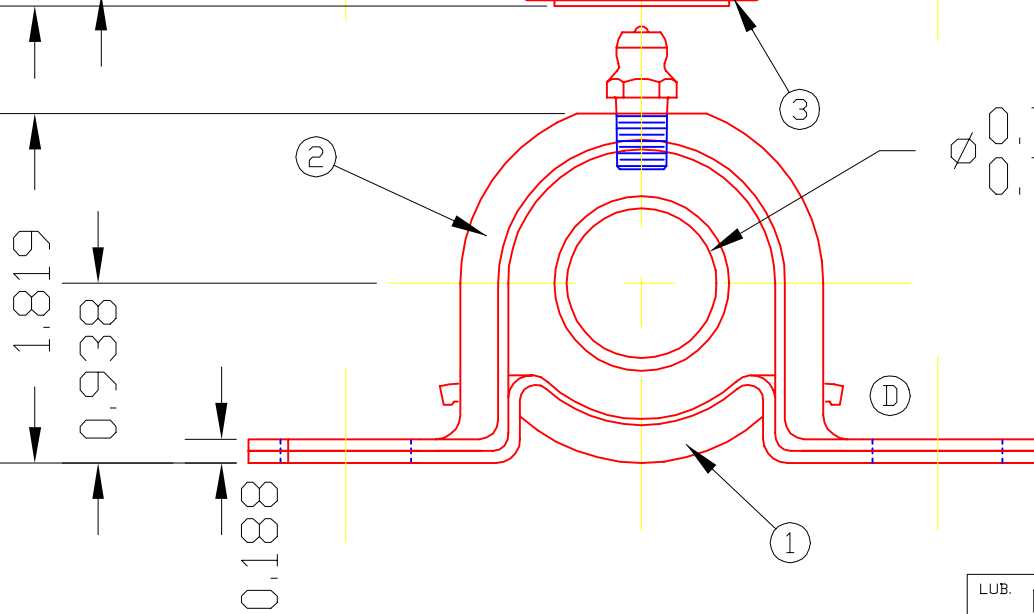
BEH12G

(A1) 4.032 REF. (C)
 (A2) 2.969 REF.



2 SLOTS - 0.328 WIDE X 0.656 LONG

SLOTS IN BASE & CONTAINER MAY HAVE SLIGHT MISALIGNMENT IN THE LONG DIRECTION. (E)



Ø 0.751 BORE
 0.752

3	H12G	BALL ASS'Y	1
2	1182	CONTAINER	1
1	1183	BRACKET	1
DET	PART NUMBER	DESCRIPTION	AMT

A TRIANGLE MANUFACTURING CO.
 OSHKOSH, WI.

NAME PILLOW BLOCK BEARING

USED IN	////
DATE	3-11-60
DRAWN	BW-88
CHECKED	SP
SCALE	1 / 1

(B)

LUB.	NONE
PLATING	GALV
MATERIAL	SEE DETAILS
ALL DIMS. ±0.020 UNLESS OTHERWISE SPECIFIED	

BEH12G

CHANGE LEVEL
E 07-15-02