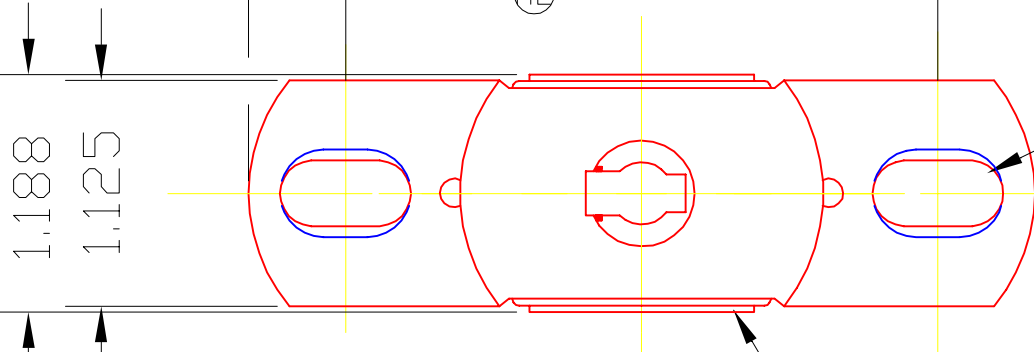


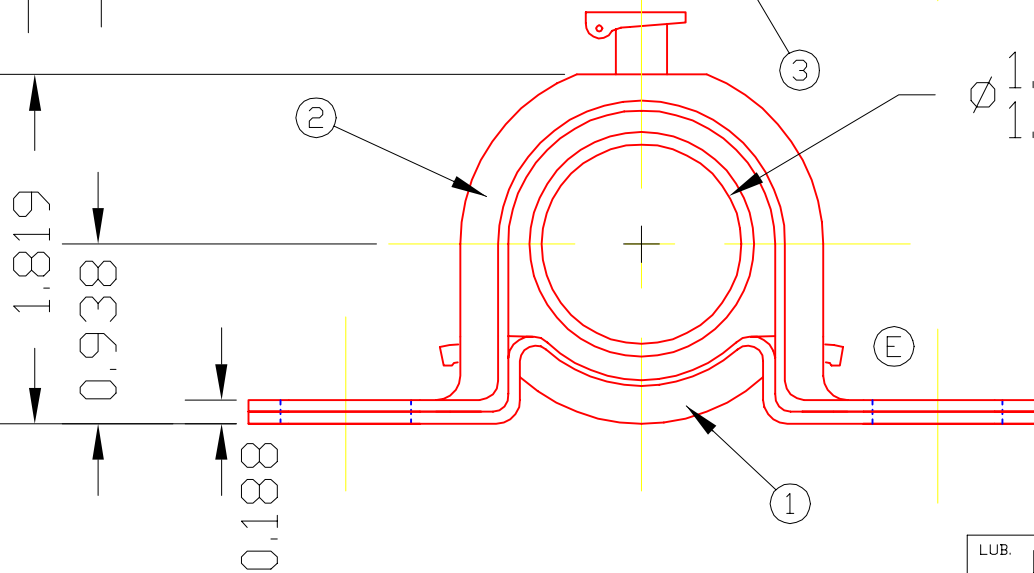
BEH16A

① 4.032 REF. ④  
 ② 2.969 REF.



2 SLOTS - 0.328 WIDE X 0.656 LONG

SLOTS IN BASE & CONTAINER MAY HAVE SLIGHT MISALIGNMENT IN THE LONG DIRECTION. ⑥



③  $\varnothing$  1.001 BORE  
 1.002

3	H16A	BALL ASS'Y	1
2	1182	CONTAINER	1
1	1183	BRACKET	1

DET	PART NUMBER	DESCRIPTION	AMT
-----	-------------	-------------	-----

△ TRIANGLE MANUFACTURING CO.  
 OSHKOSH, WI.

NAME PILLW BLOCK BEARING

USED IN // // //

DATE 1-4-60 PART NO.

DRAWN BW-88  
 CHECKED SP

SCALE 1 / 1

BEH16A

⑦

LUB.	OIL T.M.C. #L-1
PLATING	GALV
MATERIAL	SEE DETAILS
ALL DIMS.	±.020 UNLESS OTHERWISE SPECIFIED

CHANGE LEVEL
F 07-15-02