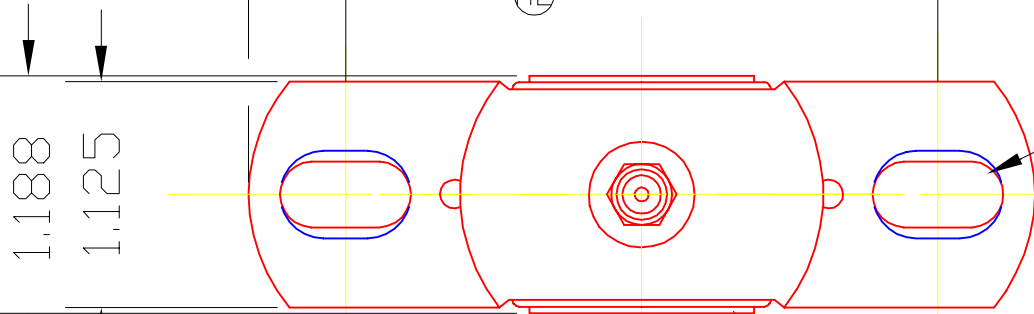


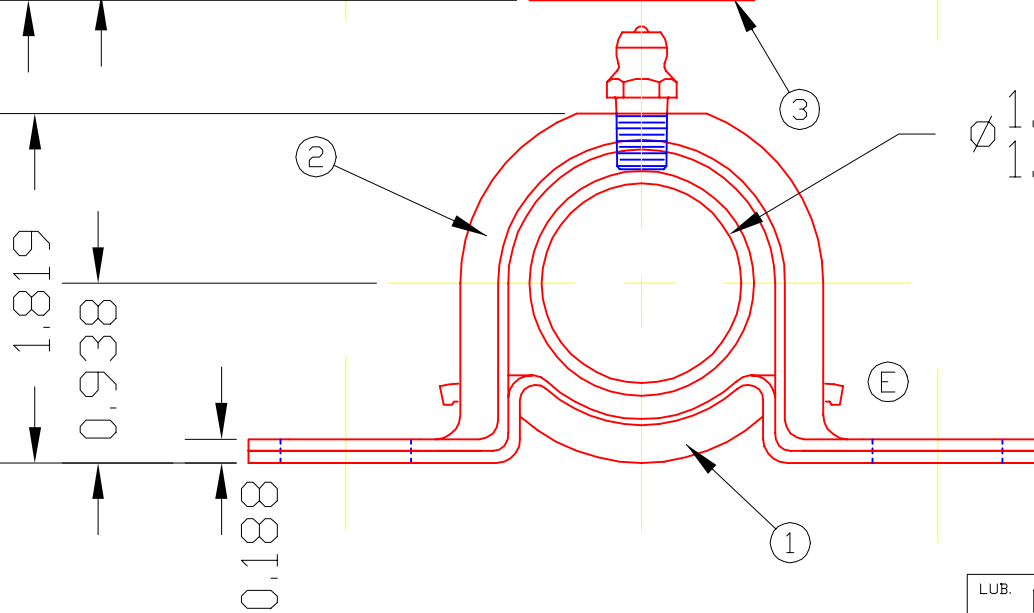
BEH16G

① 4.032 REF. ④  
 ② 2.969 REF.



2 SLOTS - 0.328 WIDE X 0.656 LONG

SLOTS IN BASE & CONTAINER MAY HAVE SLIGHT MISALIGNMENT IN THE LONG DIRECTION. ⑥



③  
 Ø 1.003 ③  
 1.002 BORE

3	H16G	BALL ASS'Y	1
2	1182	CONTAINER	1
1	1183	BRACKET	1

DET PART NUMBER DESCRIPTION AMT

A TRIANGLE MANUFACTURING CO.  
 OSHKOSH, WI.

NAME PILLOW BLOCK BEARING

USED IN // // //

DATE 3-11-60

PART NO.

DRAWN BW-88

CHECKED SP

SCALE 1 / 1

BEH16G

⑦

LUB.	NONE
PLATING	GALV
MATERIAL	SEE DETAILS
ALL DIMS. ±.020 UNLESS OTHERWISE SPECIFIED	

CHANGE LEVEL
F 07-15-02