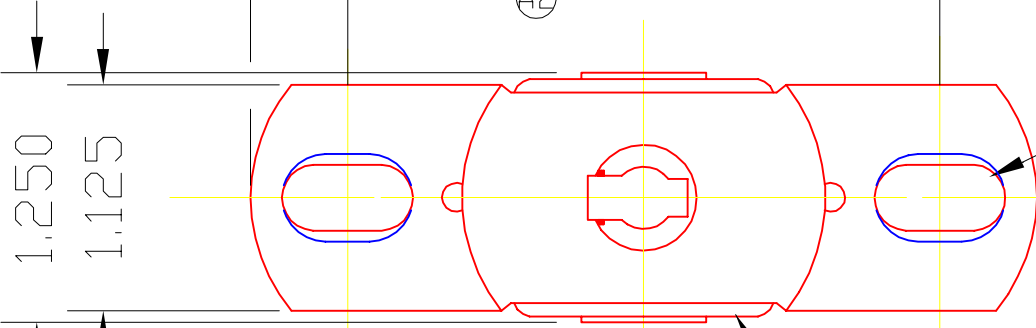


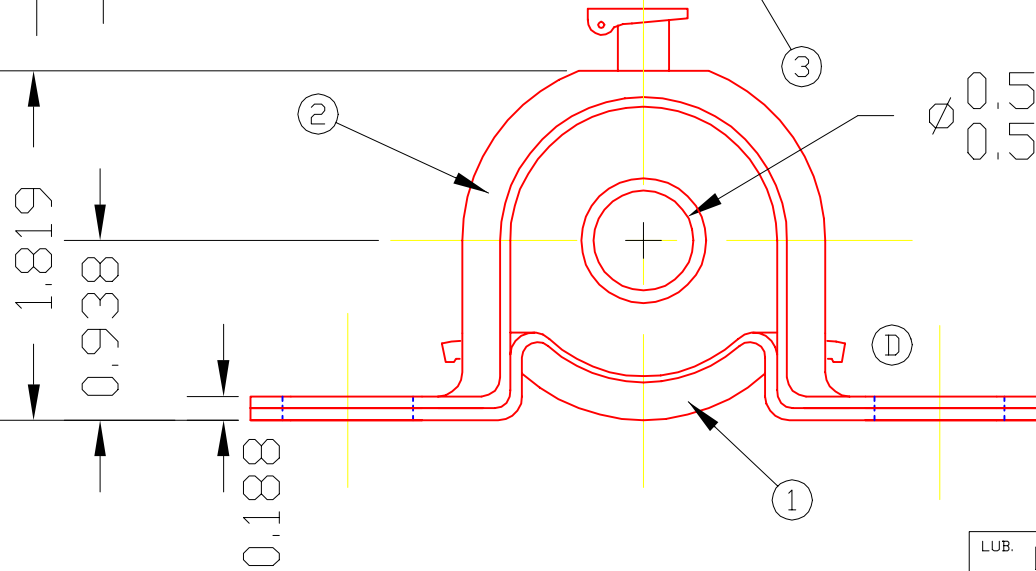
BEH8A

(A1) 4.032 REF. (C)
 (A2) 2.969 REF.



2 SLOTS - 0.328 WIDE X 0.656 LONG

SLOTS IN BASE & CONTAINER MAY HAVE SLIGHT MISALIGNMENT IN THE LONG DIRECTION. (E)



(3)
 (2)
 (1)
 (D)
 (B)

\varnothing 0.5005 BORE
 0.5015

3	H8A	BALL ASS'Y	1
2	1182	CONTAINER	1
1	1183	BRACKET	1
DET	PART NUMBER	DESCRIPTION	AMT

A TRIANGLE MANUFACTURING CO. OSHKOSH, WI.

NAME PILLLOW BLOCK BEARING

USED IN	////
DATE	12-31-59
DRAWN	BW-88
CHECKED	SP
SCALE	1 / 1

BEH8A

CHANGE LEVEL	
E	07-15-02

LUB.	OIL T.M.C. #L-1
PLATING	GALV
MATERIAL	SEE DETAILS
ALL DIMS. \pm .020 UNLESS OTHERWISE SPECIFIED	