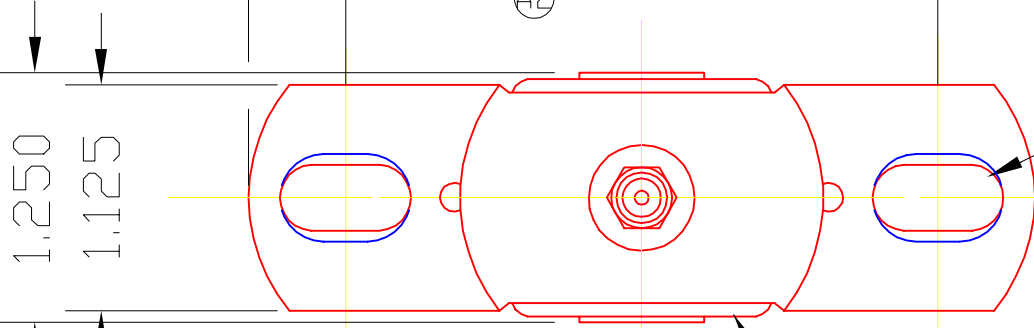


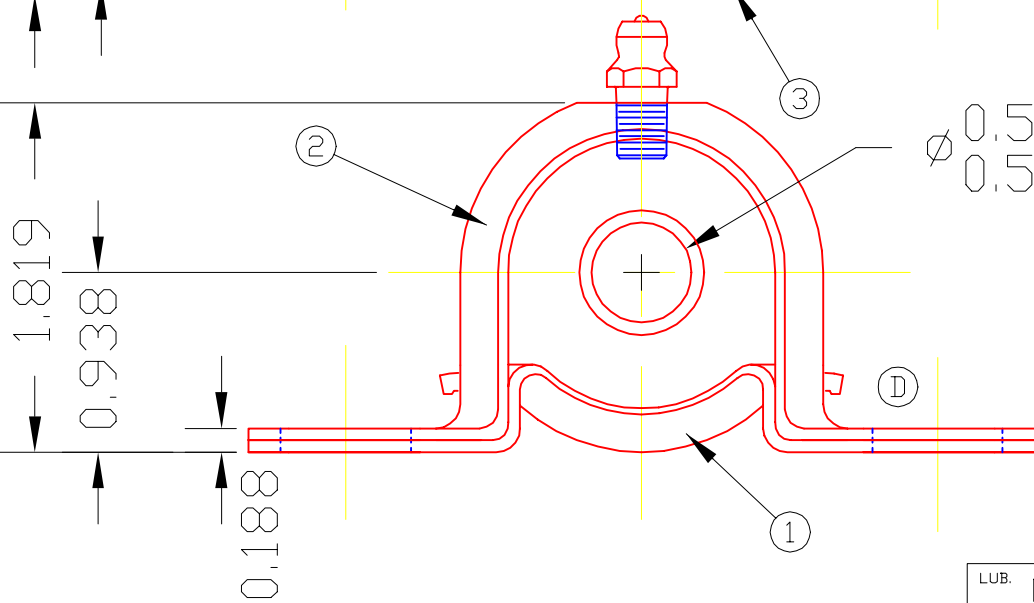
BEH8G

(A1) 4.032 REF. (C)
 (A2) 2.969 REF.



2 SLOTS - 0.328 WIDE X 0.656 LONG

SLOTS IN BASE & CONTAINER MAY HAVE SLIGHT MISALIGNMENT IN THE LONG DIRECTION. (E)



Ø 0.501 BORE
 0.502

3	H8G	BALL ASS'Y	1
2	1182	CONTAINER	1
1	1183	BRACKET	1

DET	PART NUMBER	DESCRIPTION	AMT
-----	-------------	-------------	-----

A TRIANGLE MANUFACTURING CO.
 OSHKOSH, WI.

NAME PILLLOW BLOCK BEARING

USED IN // // //

DATE 3-11-60 PART NO.

DRAWN BW-88

CHECKED SP

SCALE 1 / 1

BEH8G

LUB. NONE

PLATING GALV

MATERIAL SEE DETAILS

ALL DIMS. ±.020 UNLESS OTHERWISE SPECIFIED

(B)

CHANGE LEVEL
E 07-15-02