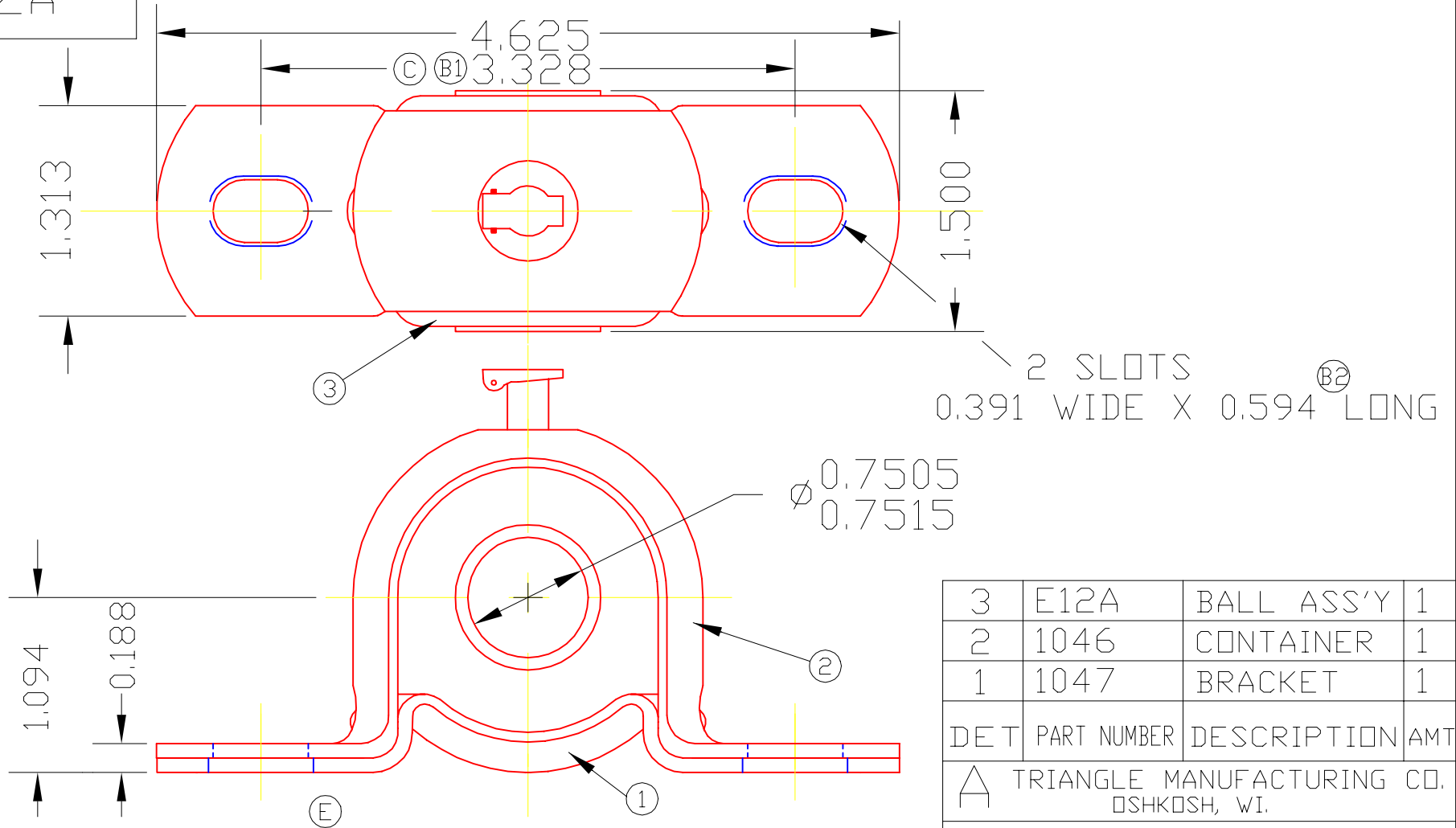


BFE12A



2 SLOTS
0.391 WIDE X 0.594 LONG

Ø 0.7505
0.7515

3	E12A	BALL ASS'Y	1
2	1046	CONTAINER	1
1	1047	BRACKET	1

DET	PART NUMBER	DESCRIPTION	AMT
-----	-------------	-------------	-----

A TRIANGLE MANUFACTURING CO.
OSHKOSH, WI.

NAME PILLLOW BLOCK BEARING

USED IN	////
DATE	6-4-62
DRAWN	BW-88
CHECKED	MJK
SCALE	1 / 1

BFE12A

SLOTS IN BASE & CONTAINER MAY
HAVE SLIGHT MISALIGNMENT IN THE
LONG DIRECTION.

CHANGE LEVEL
F 07-18-02

LUB.	OIL T.M.C. #L-1
PLATING	GALV.
MATERIAL	SEE DETAILS
ALL DIMS. ±.020 UNLESS OTHERWISE SPECIFIED	