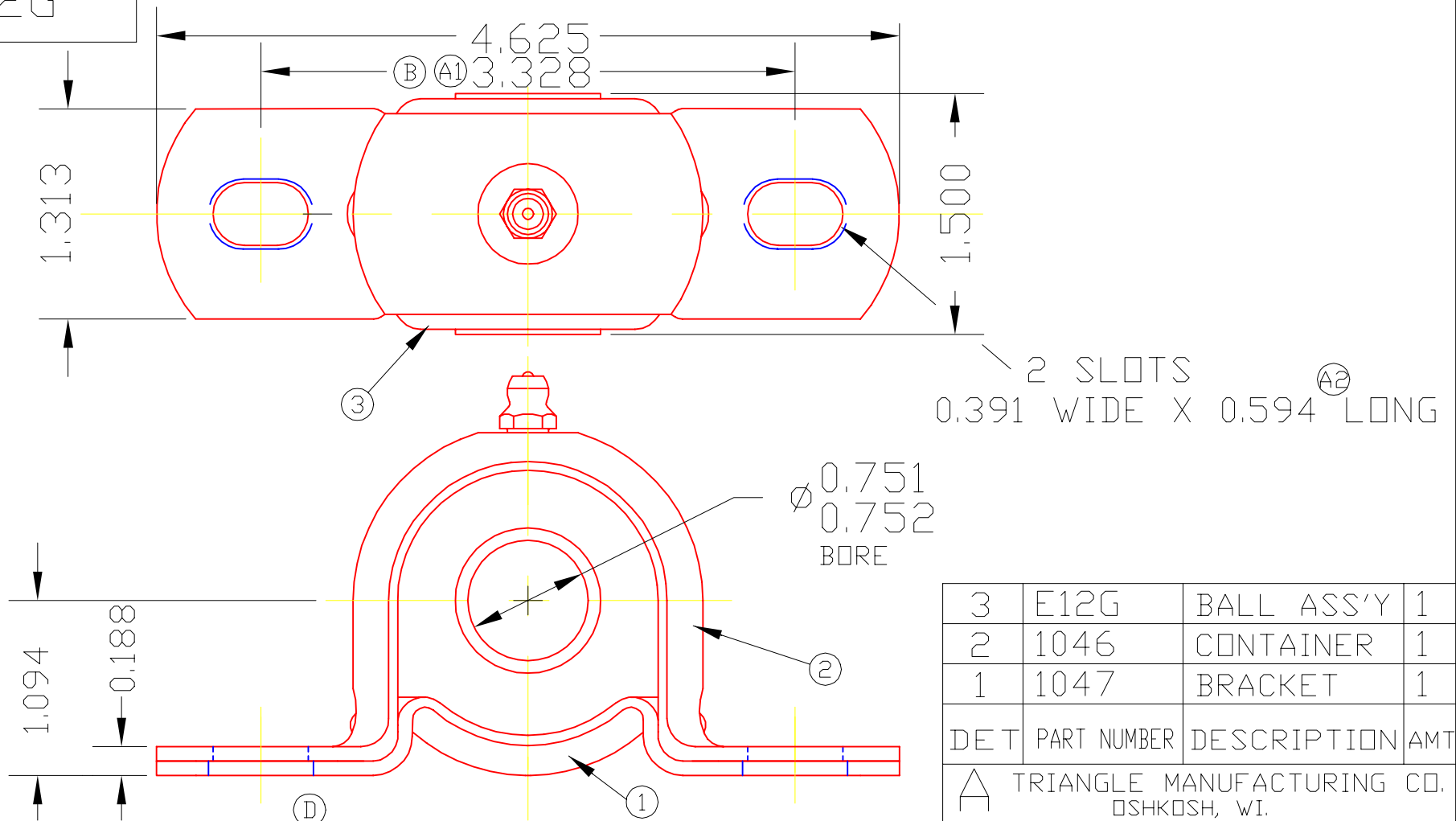


BFE12G



2 SLOTS
0.391 WIDE X 0.594^{A2} LONG

Ø 0.751
0.752
BORE

3	E12G	BALL ASS'Y	1
2	1046	CONTAINER	1
1	1047	BRACKET	1

DET	PART NUMBER	DESCRIPTION	AMT
-----	-------------	-------------	-----

A TRIANGLE MANUFACTURING CO.
OSHKOSH, WI.

NAME PILLLOW BLOCK BEARING

USED IN	////
DATE	9-28-64
DRAWN	BW-88
CHECKED	MJK
SCALE	1 / 1

BFE12G

SLOTS IN BASE & CONTAINER MAY
HAVE SLIGHT MISALIGNMENT IN THE
LONG DIRECTION. (E)

LUB.	NONE
PLATING	GALV.
MATERIAL	SEE DETAILS
ALL DIMS.	±.020 UNLESS OTHERWISE SPECIFIED

CHANGE LEVEL
E 07-18-02