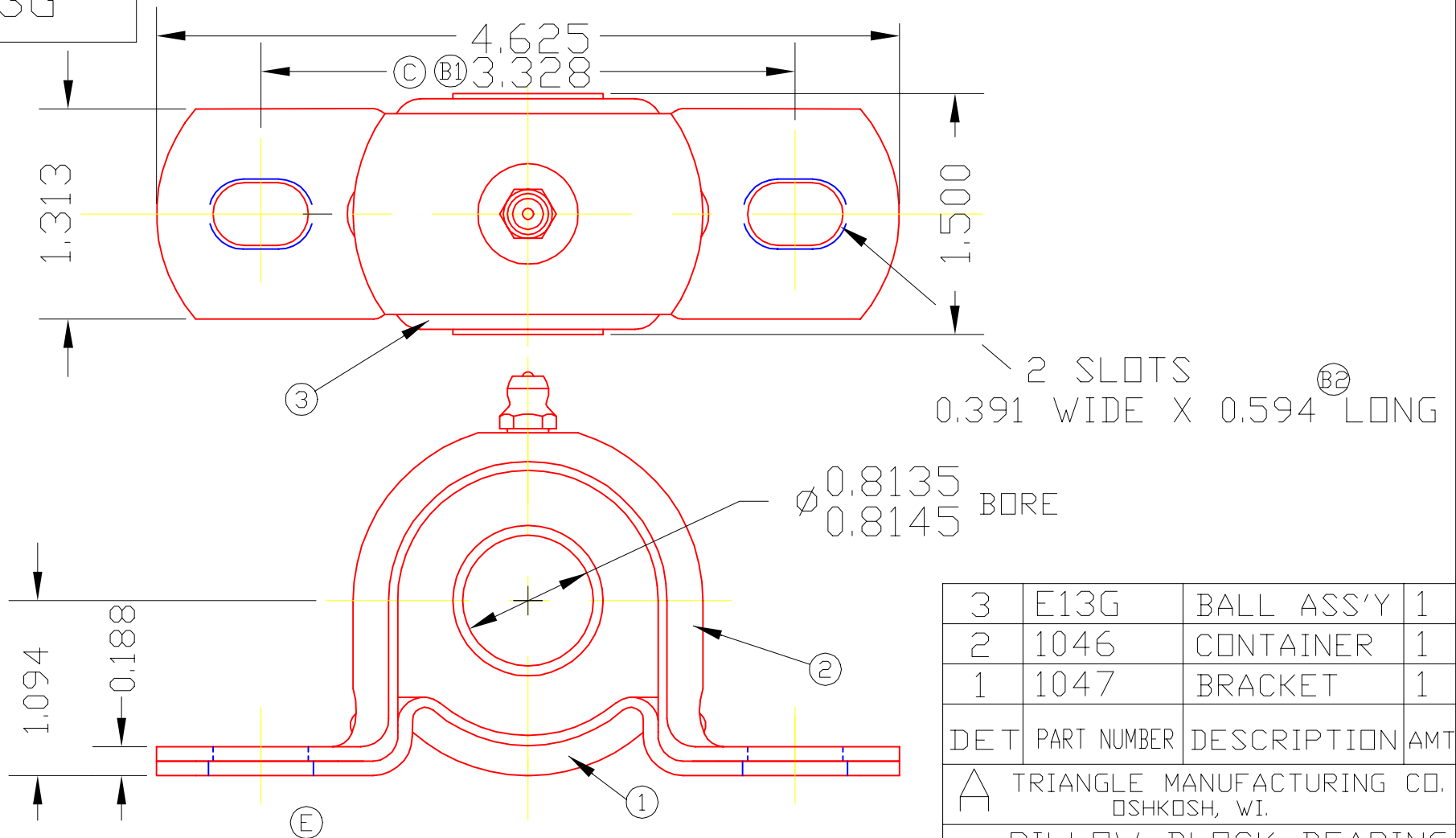


BFE13G



3	E13G	BALL ASS'Y	1
2	1046	CONTAINER	1
1	1047	BRACKET	1

DET	PART NUMBER	DESCRIPTION	AMT
-----	-------------	-------------	-----

△ TRIANGLE MANUFACTURING CO.  
OSHKOSH, WI.

NAME PILLLOW BLOCK BEARING

USED IN // // //

DATE 11-28-60	PART NO.
---------------	----------

DRAWN BW-88	BFE13G
CHECKED MJK	
SCALE 1 / 1	

SLOTS IN BASE & CONTAINER MAY HAVE SLIGHT MISALIGNMENT IN THE LONG DIRECTION.

CHANGE LEVEL
F 07-18-02

LUB. NONE
PLATING GALV.
MATERIAL SEE DETAILS
ALL DIMS. ±.020 UNLESS OTHERWISE SPECIFIED