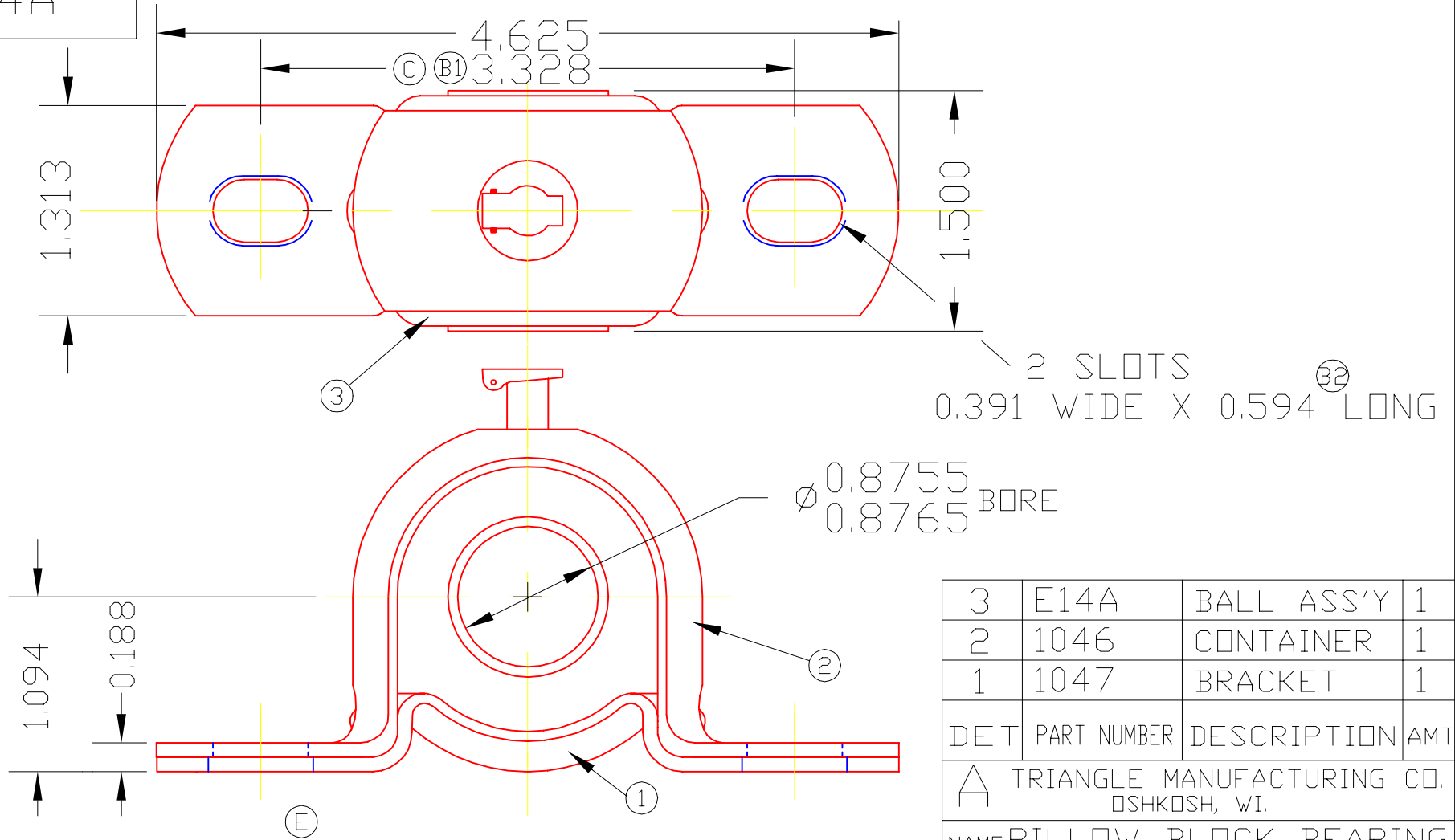


BFE14A



2 SLOTS
0.391 WIDE X 0.594 LONG

$\varnothing 0.8755$
 0.8765 BORE

3	E14A	BALL ASS'Y	1
2	1046	CONTAINER	1
1	1047	BRACKET	1

DET PART NUMBER DESCRIPTION AMT

A TRIANGLE MANUFACTURING CO.
OSHKOSH, WI.

NAME PILLLOW BLOCK BEARING

USED IN
DATE 6-1-62 PART NO.

DRAWN BW-88
CHECKED MJK
SCALE 1 / 1

BFE14A

SLOTS IN BASE & CONTAINER MAY
HAVE SLIGHT MISALIGNMENT IN THE
LONG DIRECTION.

CHANGE LEVEL
F 07-18-02

LUB.	OIL T.M.C. #L-1
PLATING	GALV.
MATERIAL	SEE DETAILS
ALL DIMS. ± 0.020 UNLESS OTHERWISE SPECIFIED	