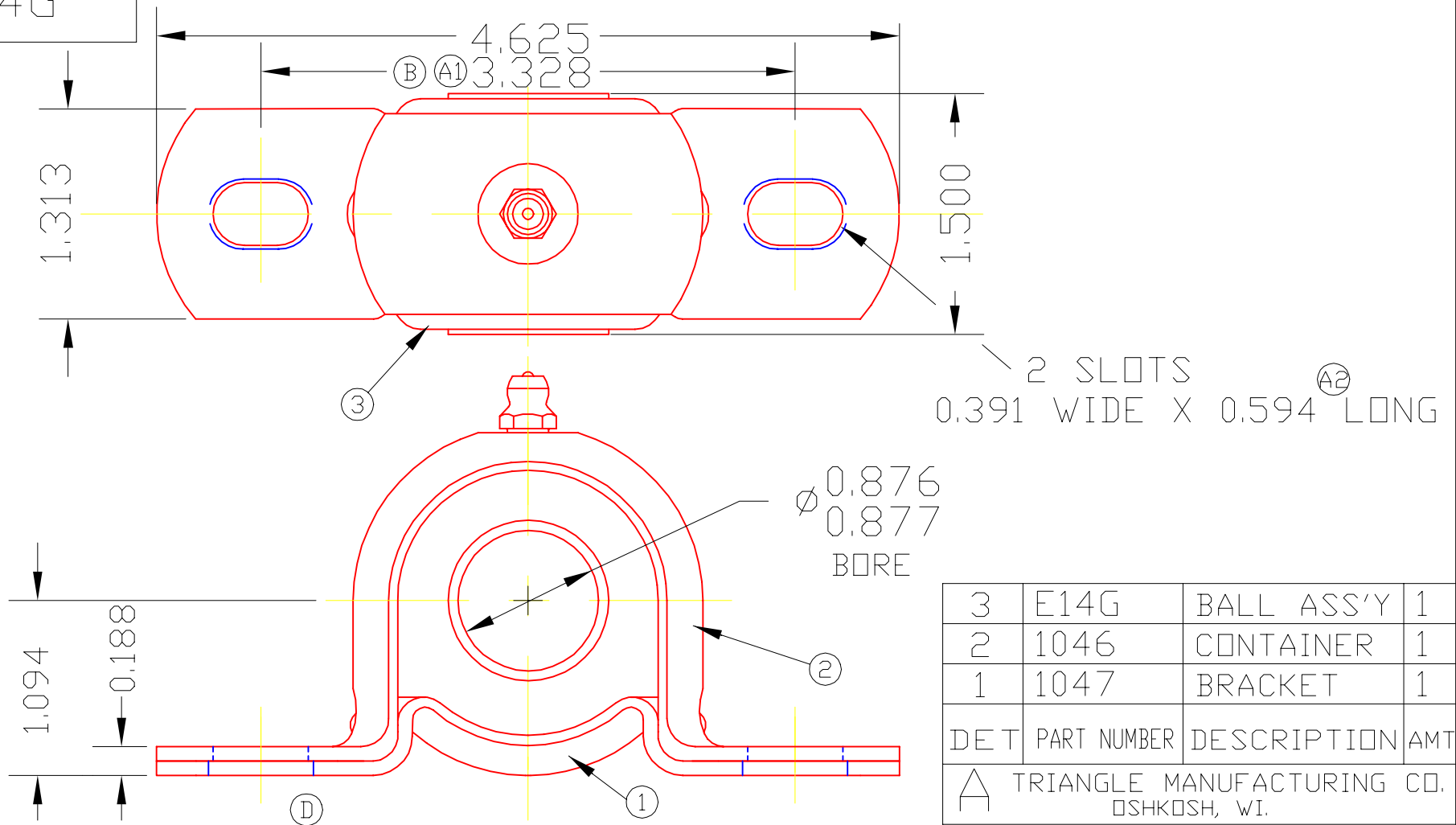


BFE14G



SLOTS IN BASE & CONTAINER MAY HAVE SLIGHT MISALIGNMENT IN THE LONG DIRECTION.

(E)

3	E14G	BALL ASS'Y	1
2	1046	CONTAINER	1
1	1047	BRACKET	1
DET	PART NUMBER	DESCRIPTION	AMT

A TRIANGLE MANUFACTURING CO.
 OSHKOSH, WI.

NAME PILLLOW BLOCK BEARING

USED IN	////
DATE	12-19-62
DRAWN	BW-88
CHECKED	MJK
SCALE	1 / 1
PART NO.	BFE14G

(C)

LUB.	NONE
PLATING	GALV.
MATERIAL	SEE DETAILS
ALL DIMS.	±.020 UNLESS OTHERWISE SPECIFIED

CHANGE LEVEL
E 07-18-02