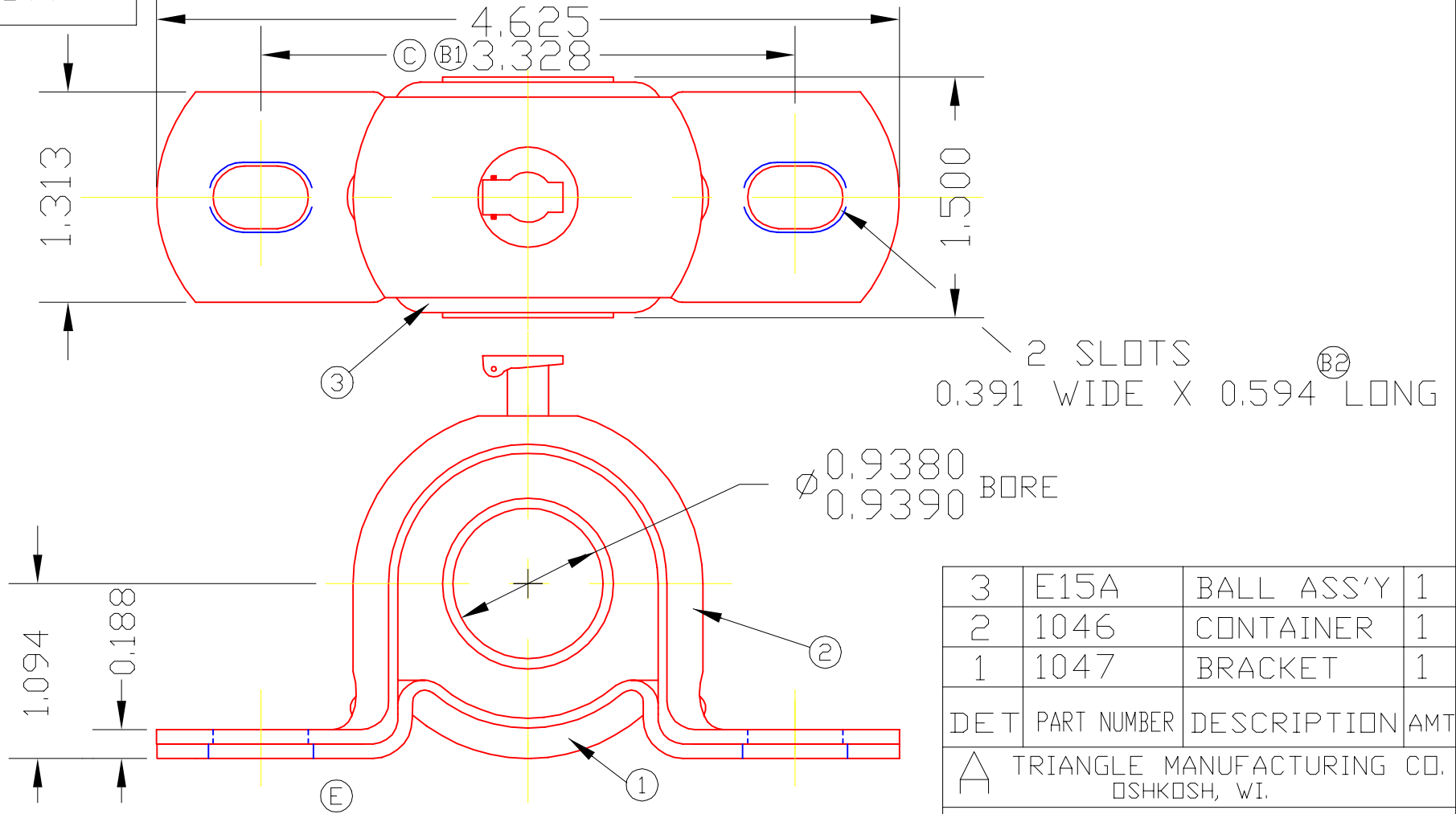


BFE15A



2 SLOTS  
0.391 WIDE X 0.594 LONG

$\varnothing 0.9380$   
 $0.9390$  BORE

3	E15A	BALL ASS'Y	1
2	1046	CONTAINER	1
1	1047	BRACKET	1

DET PART NUMBER DESCRIPTION AMT

TRIANGLE MANUFACTURING CO.  
OSHKOSH, WI.

NAME PILLOW BLOCK BEARING

USED IN  
DATE 6-1-62 PART NO.

DRAWN BW-88  
CHECKED MJK  
SCALE 1 / 1

BFE15A

SLOTS IN BASE & CONTAINER MAY  
HAVE SLIGHT MISALIGNMENT IN THE  
LONG DIRECTION.

(F)

(D)

LUB.	OIL T.M.C. #L-1
PLATING	GALV.
MATERIAL	SEE DETAILS
ALL DIMS. $\pm 0.020$ UNLESS OTHERWISE SPECIFIED	

CHANGE LEVEL
F 07-18-02