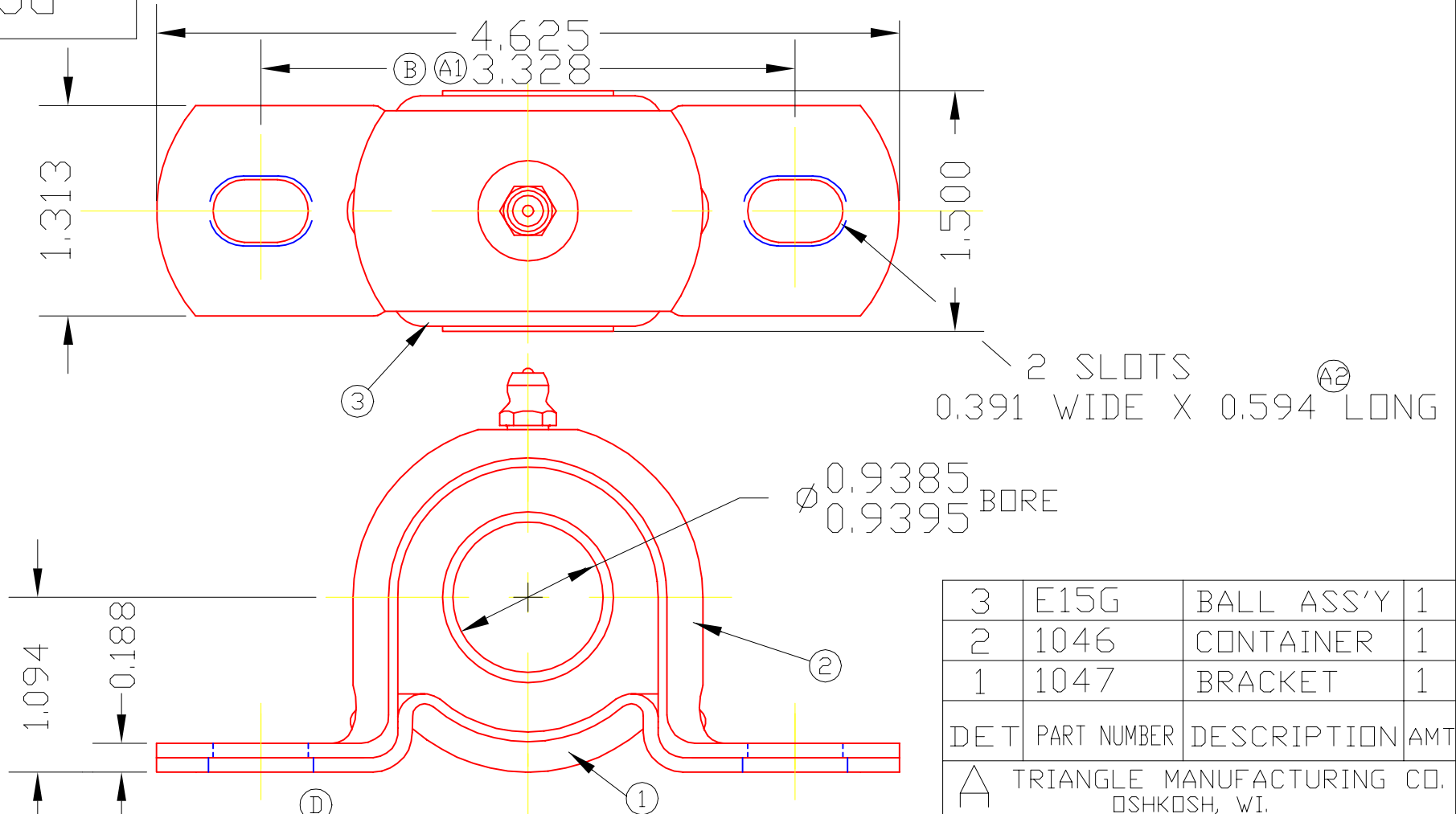


BFE15G



2 SLOTS
0.391 WIDE X 0.594 LONG

$\varnothing 0.9385$
 0.9395 BORE

3	E15G	BALL ASS'Y	1
2	1046	CONTAINER	1
1	1047	BRACKET	1
DET	PART NUMBER	DESCRIPTION	AMT

A TRIANGLE MANUFACTURING CO.
OSHKOSH, WI.

NAME PILLLOW BLOCK BEARING

USED IN	////
DATE	3-3-65
DRAWN	BW-88
CHECKED	MJK
SCALE	1 / 1
PART NO. BFE15G	

SLOTS IN BASE & CONTAINER MAY
HAVE SLIGHT MISALIGNMENT IN THE
LONG DIRECTION.

CHANGE LEVEL
E 07-18-02

LUB.	NONE
PLATING	GALV.
MATERIAL	SEE DETAILS
ALL DIMS. ± 0.020 UNLESS OTHERWISE SPECIFIED	