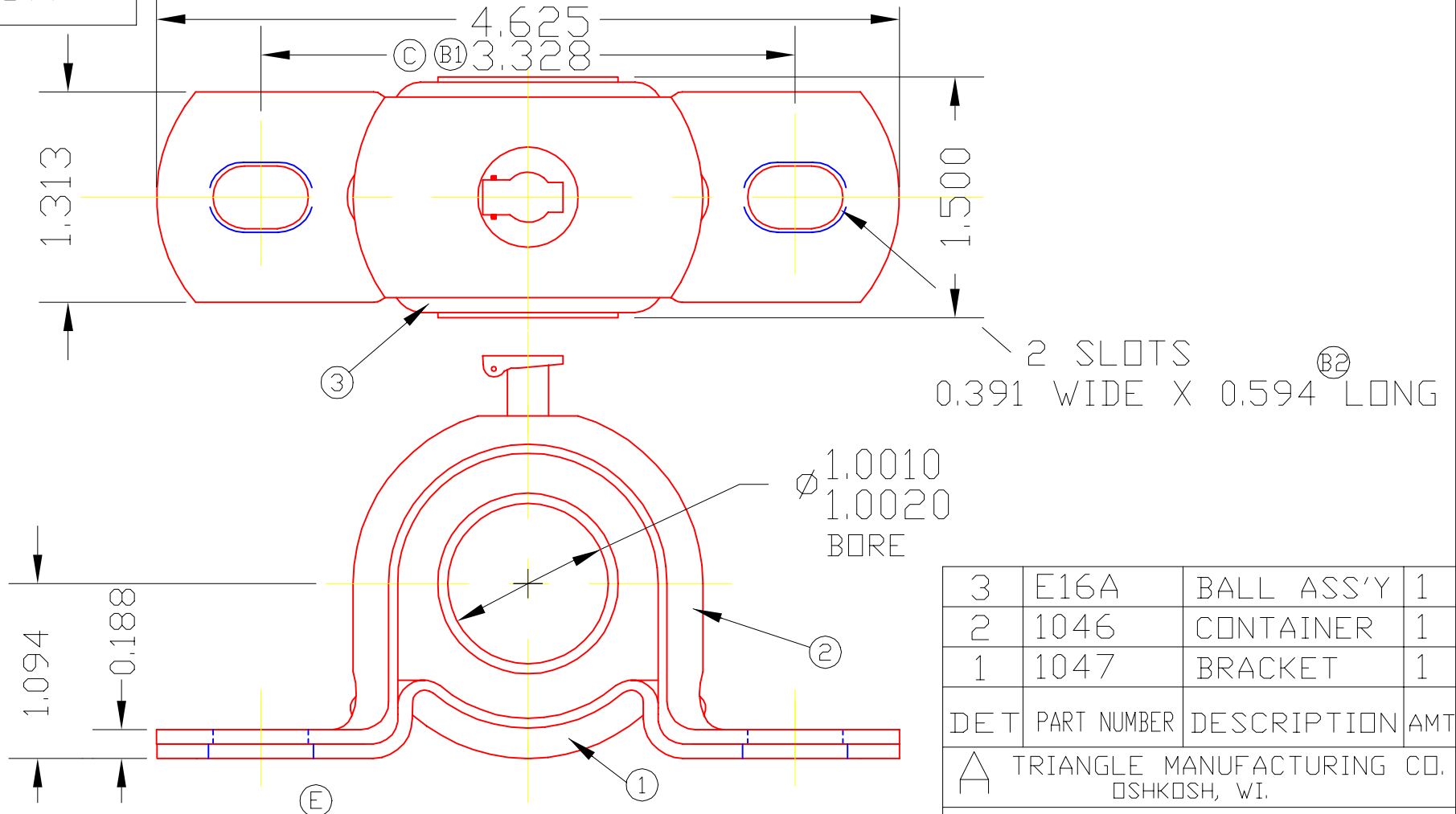


BFE16A



3	E16A	BALL ASS'Y	1
2	1046	CONTAINER	1
1	1047	BRACKET	1

DET PART NUMBER DESCRIPTION AMT

A TRIANGLE MANUFACTURING CO.
OSHKOSH, WI.

NAME PILLOW BLOCK BEARING

USED IN	////
DATE	6-1-62
DRAWN	BW-88
CHECKED	MJK
SCALE	1 / 1

BFE16A

SLOTS IN BASE & CONTAINER MAY HAVE SLIGHT MISALIGNMENT IN THE LONG DIRECTION.

CHANGE LEVEL
F 07-18-02

LUB.	OIL T.M.C. #L-1
PLATING	GALV.
MATERIAL	SEE DETAILS
ALL DIMS. ±.020 UNLESS OTHERWISE SPECIFIED	