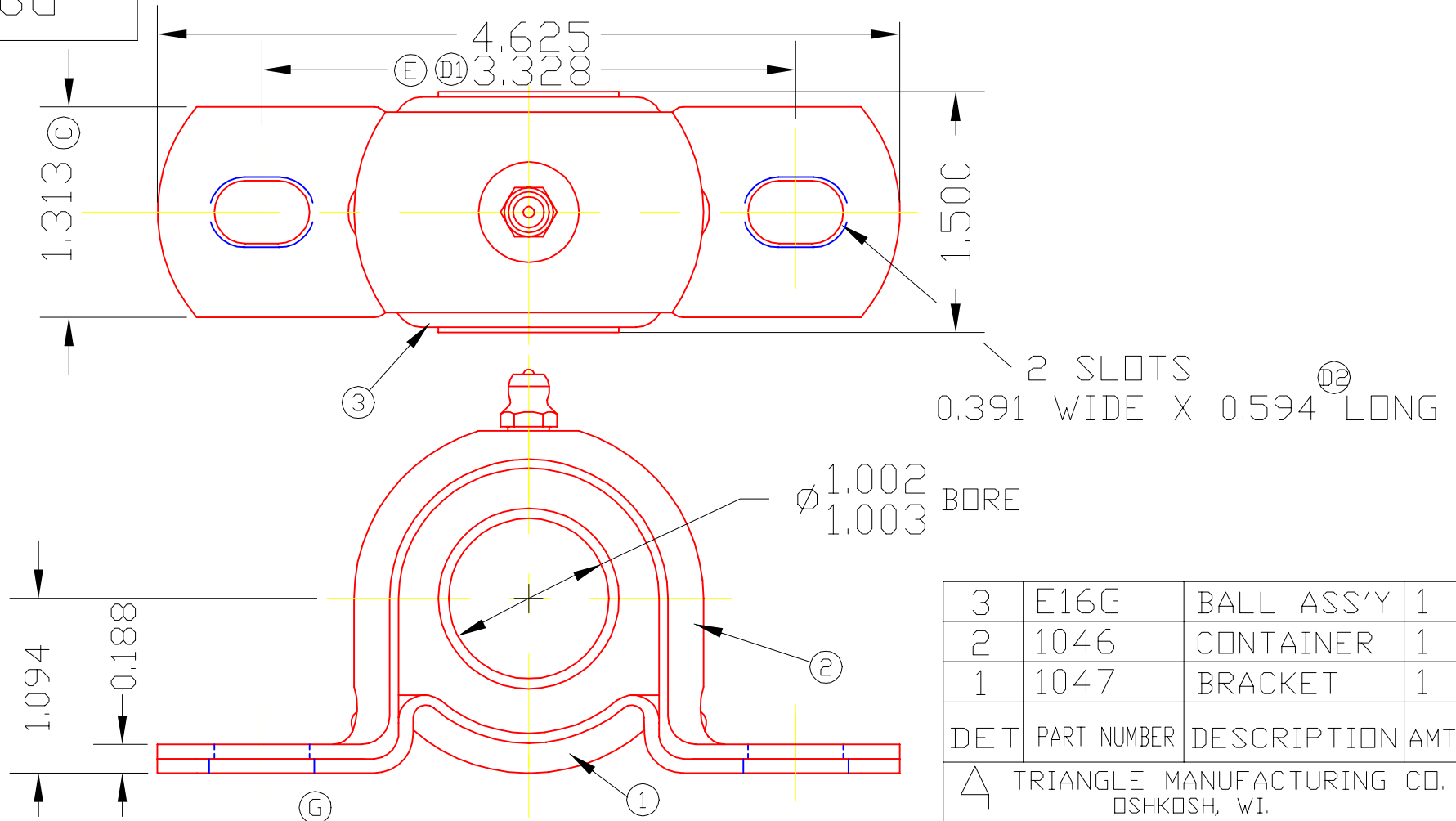


BFE16G



2 SLOTS
0.391 WIDE X 0.594 LONG

Ø 1.002 BORE
1.003

SLOTS IN BASE & CONTAINER MAY
HAVE SLIGHT MISALIGNMENT IN THE
LONG DIRECTION.

(H)

3	E16G	BALL ASS'Y	1
2	1046	CONTAINER	1
1	1047	BRACKET	1
DET	PART NUMBER	DESCRIPTION	AMT

TRIANGLE MANUFACTURING CO.
OSHKOSH, WI.

NAME PILLW BLOCK BEARING

USED IN	////
DATE	11-28-60
DRAWN	BW-88
CHECKED	MJK
SCALE	1 / 1

BFE16G

CHANGE LEVEL
H 07-18-02

LUB.	NONE
PLATING	GALV.
MATERIAL	SEE DETAILS
ALL DIMS. ±.020 UNLESS OTHERWISE SPECIFIED	