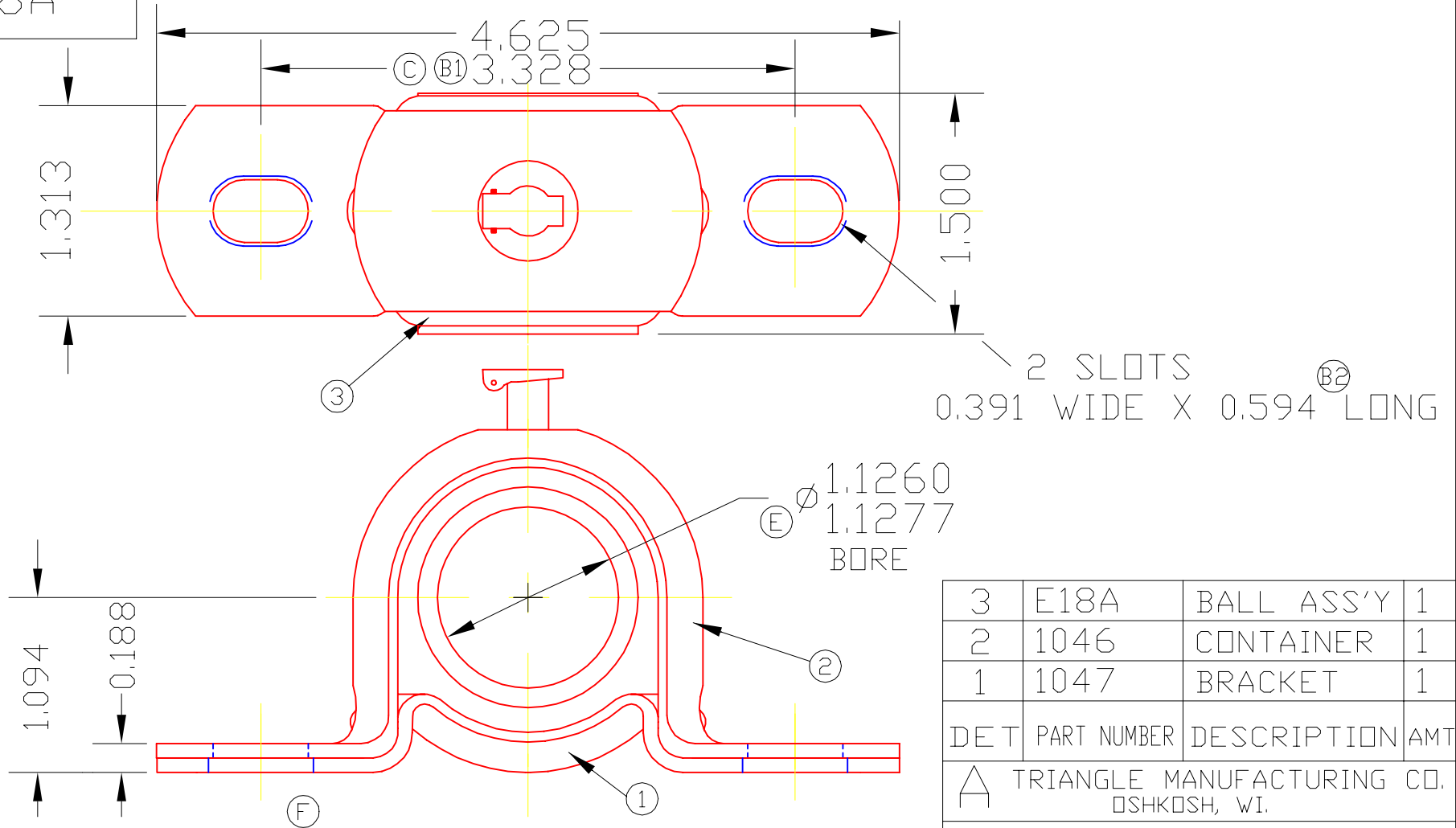


BFE18A



2 SLOTS  
0.391 WIDE X 0.594 LONG

Ø 1.1260  
1.1277  
BORE

|   |      |            |   |
|---|------|------------|---|
| 3 | E18A | BALL ASS'Y | 1 |
| 2 | 1046 | CONTAINER  | 1 |
| 1 | 1047 | BRACKET    | 1 |

| DET | PART NUMBER | DESCRIPTION | AMT |
|-----|-------------|-------------|-----|
|-----|-------------|-------------|-----|

TRIANGLE MANUFACTURING CO.  
OSHKOSH, WI.

NAME PILLLOW BLOCK BEARING

USED IN  
DATE 6-1-62

DRAWN BW-88  
CHECKED MJK

SCALE 1 / 1

SLOTS IN BASE & CONTAINER MAY  
HAVE SLIGHT MISALIGNMENT IN THE  
LONG DIRECTION.

|              |
|--------------|
| CHANGE LEVEL |
| G 07-18-02   |

|  |                 |
|--|-----------------|
| LUB.                                       | OIL T.M.C. #L-1 |
| PLATING                                    | GALV.           |
| MATERIAL                                   | SEE DETAILS     |
| ALL DIMS. ±.020 UNLESS OTHERWISE SPECIFIED |                 |

PART NO.  
BFE18A