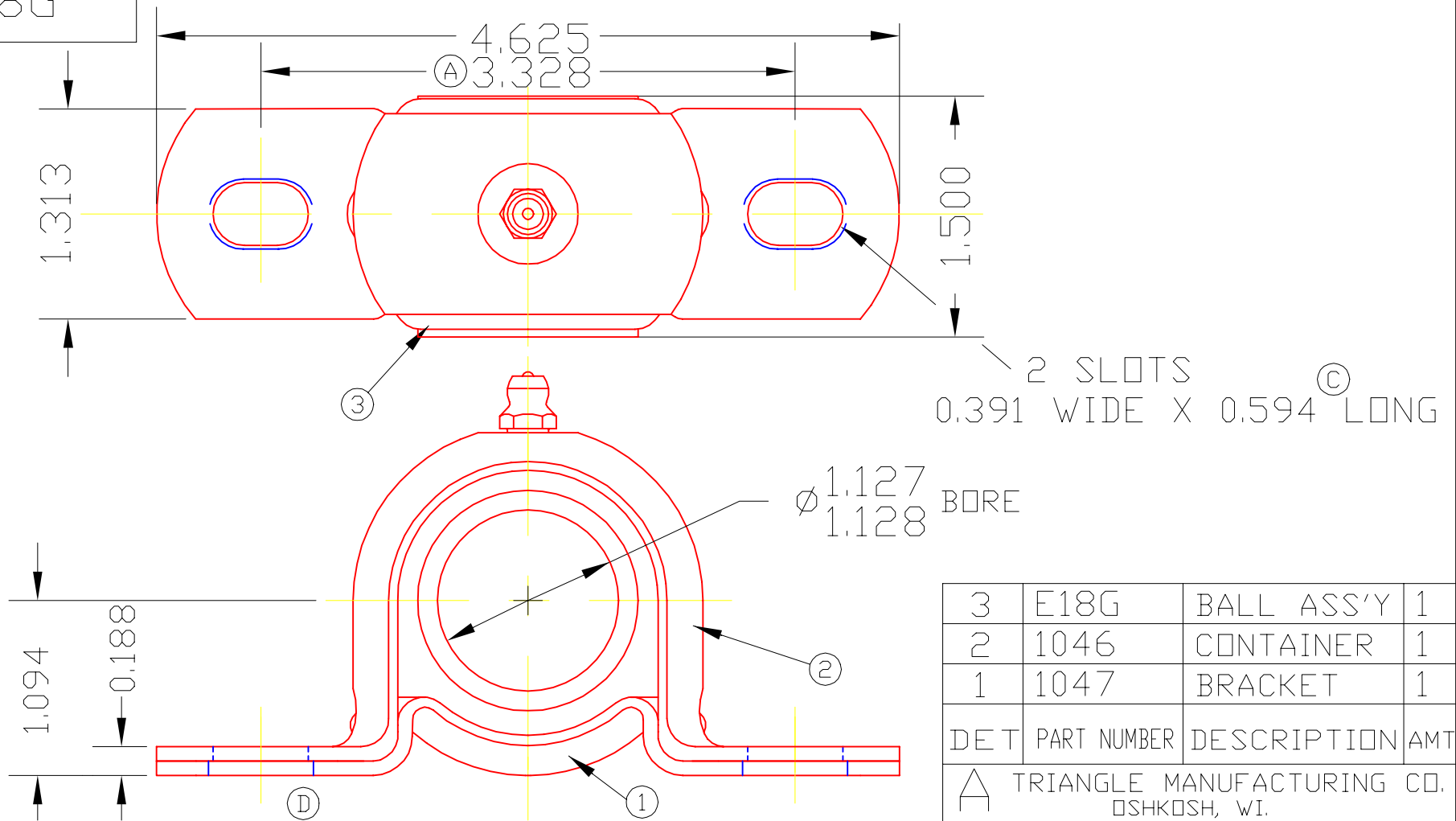


BFE18G



2 SLOTS  
0.391 WIDE X 0.594<sup>(C)</sup> LONG

Ø 1.127  
1.128 BORE

3	E18G	BALL ASS'Y	1
2	1046	CONTAINER	1
1	1047	BRACKET	1

DET	PART NUMBER	DESCRIPTION	AMT
-----	-------------	-------------	-----

<sup>(A)</sup> TRIANGLE MANUFACTURING CO.  
OSHKOSH, WI.

NAME PILLLOW BLOCK BEARING

USED IN	////
DATE	9-21-65
DRAWN	BW-88
CHECKED	MJK
SCALE	1 / 1
PART NO.	BFE18G

SLOTS IN BASE & CONTAINER MAY HAVE SLIGHT MISALIGNMENT IN THE LONG DIRECTION. <sup>(E)</sup>

<sup>(B)</sup> LUB.	NONE
PLATING	GALV.
MATERIAL	SEE DETAILS
ALL DIMS. ±.020 UNLESS OTHERWISE SPECIFIED	

CHANGE LEVEL
E 07-18-02