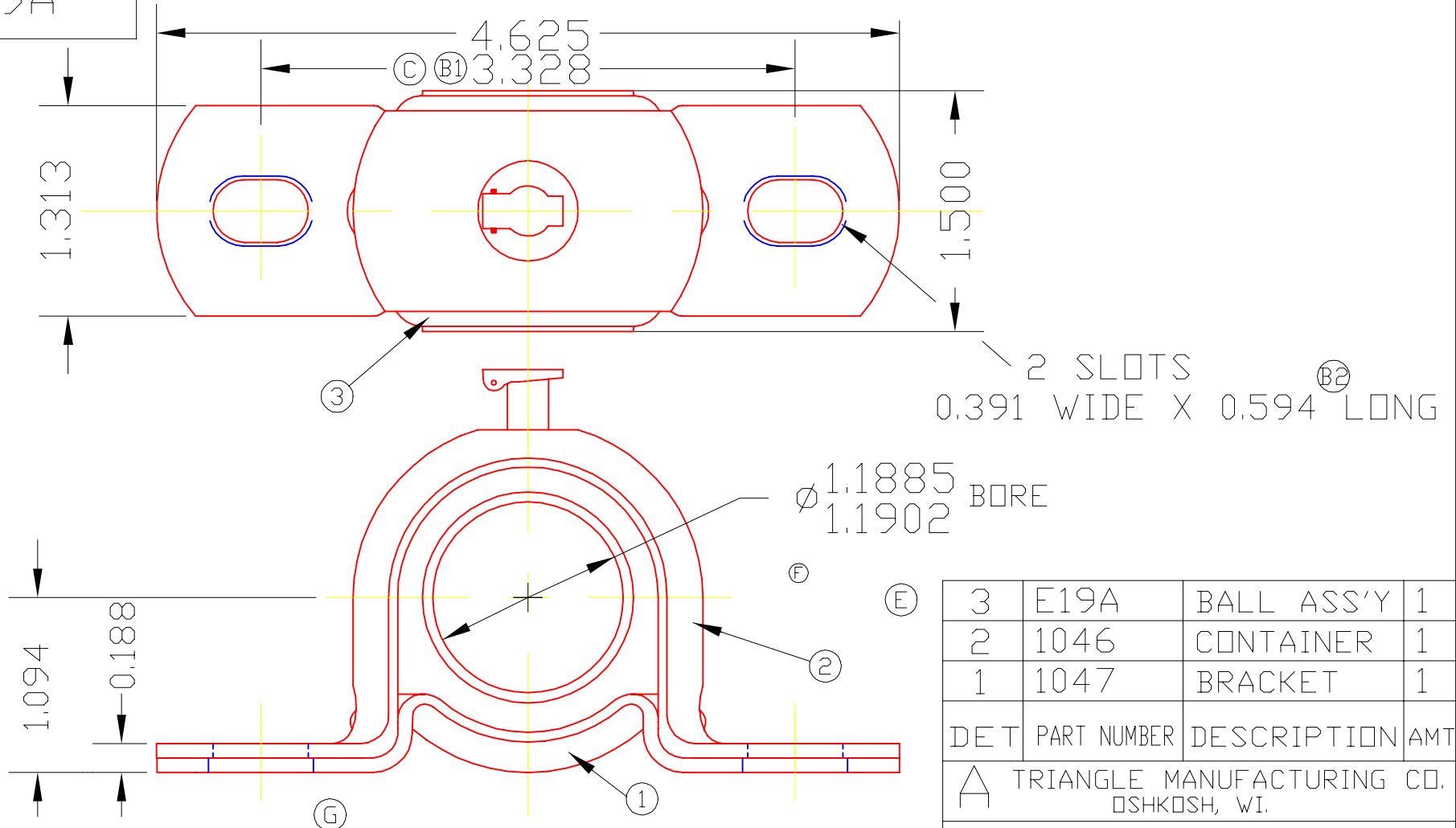


BFE19A



2 SLOTS
0.391 WIDE X 0.594 LONG

Ø 1.1885 BORE
1.1902

SLOTS IN BASE & CONTAINER MAY
HAVE SLIGHT MISALIGNMENT IN THE
LONG DIRECTION.

3	E19A	BALL ASS'Y	1
2	1046	CONTAINER	1
1	1047	BRACKET	1
DET	PART NUMBER	DESCRIPTION	AMT

TRIANGLE MANUFACTURING CO.
OSHKOSH, WI.

NAME PILLLOW BLOCK BEARING

USED IN	////
DATE	6-1-62
DRAWN	BW-88
CHECKED	MJK
SCALE	1 / 1
PART NO. BFE19A	

LUB.	OIL T.M.C. #L-1
PLATING	GALV.
MATERIAL	SEE DETAILS
ALL DIMS. ±.020 UNLESS OTHERWISE SPECIFIED	

CHANGE LEVEL
H 07-18-02