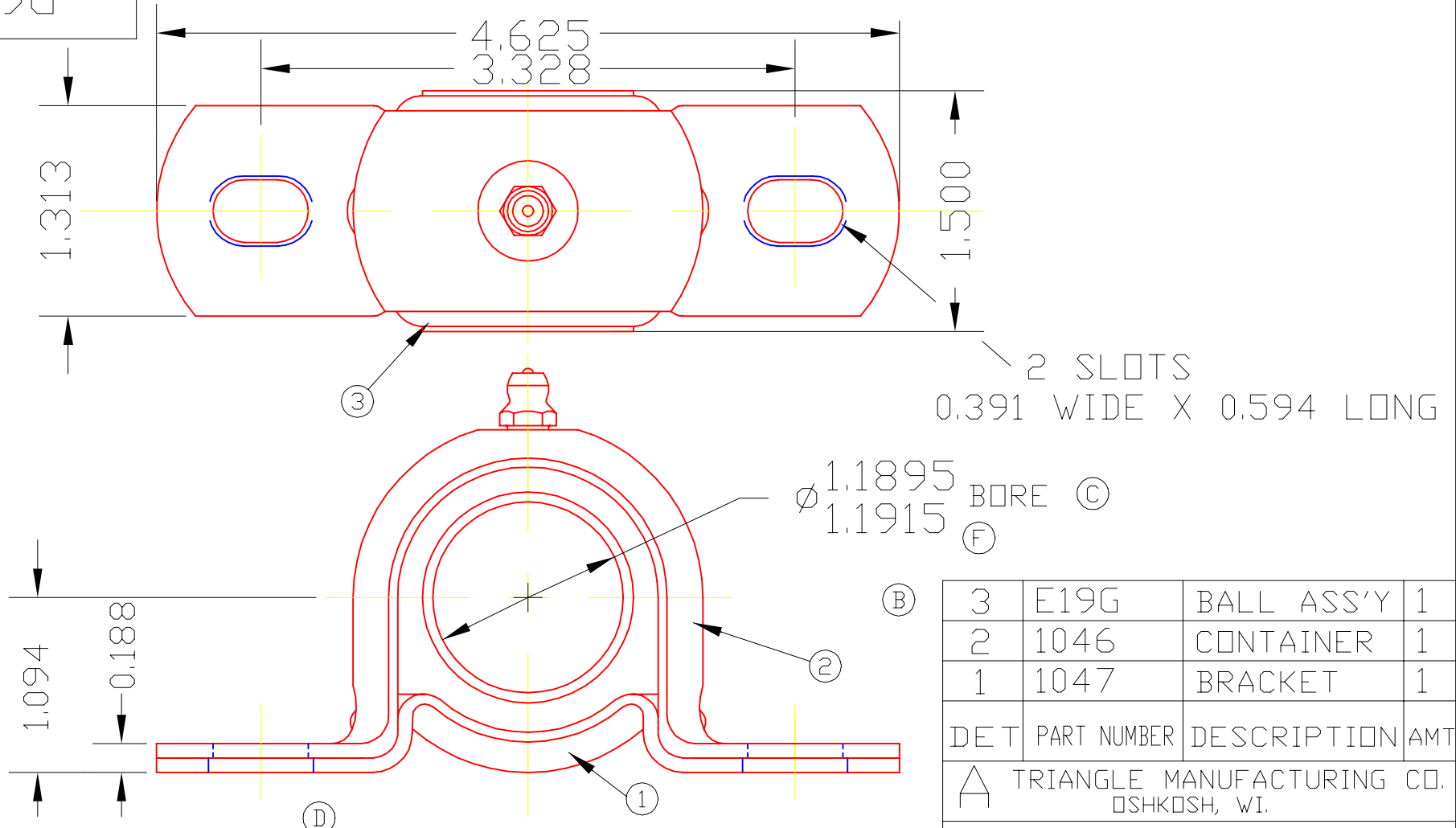


BFE19G



2 SLOTS
0.391 WIDE X 0.594 LONG

Ø 1.1895 BORE ©
1.1915 ⑥

3	E19G	BALL ASS'Y	1
2	1046	CONTAINER	1
1	1047	BRACKET	1
DET	PART NUMBER	DESCRIPTION	AMT

▲ TRIANGLE MANUFACTURING CO.
OSHKOSH, WI.

NAME PILLLOW BLOCK BEARING

USED IN	////
DATE	3-19-68
DRAWN	BW-88
CHECKED	MJK
SCALE	1 / 1
PART NO. BFE19G	

SLOTS IN BASE & CONTAINER MAY HAVE SLIGHT MISALIGNMENT IN THE LONG DIRECTION. ⑤

CHANGE LEVEL
F 04-22-03

LUB.	NONE
PLATING	GALV.
MATERIAL	SEE DETAILS
ALL DIMS. ±.020 UNLESS OTHERWISE SPECIFIED	