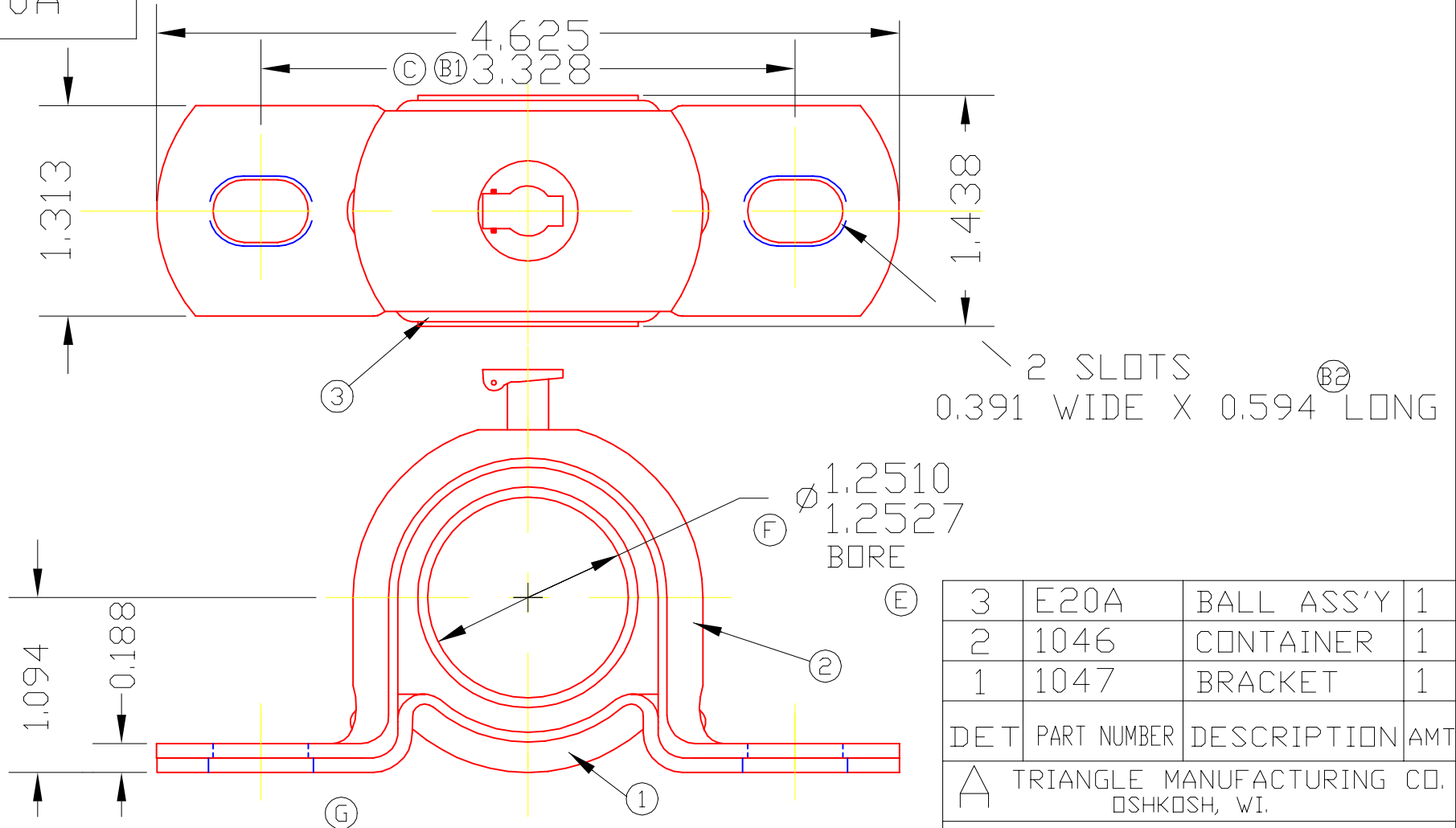


BFE20A



SLOTS IN BASE & CONTAINER MAY HAVE SLIGHT MISALIGNMENT IN THE LONG DIRECTION.

CHANGE LEVEL
H 07-18-02

LUB.	OIL T.M.C. #L-1
PLATING	GALV.
MATERIAL	SEE DETAILS
ALL DIMS. ±.020 UNLESS OTHERWISE SPECIFIED	

3	E20A	BALL ASS'Y	1
2	1046	CONTAINER	1
1	1047	BRACKET	1
DET	PART NUMBER	DESCRIPTION	AMT
A TRIANGLE MANUFACTURING CO. OSHKOSH, WI.			
NAME PILLLOW BLOCK BEARING			
USED IN			
DATE	6-1-62	PART NO.	
DRAWN	BW-88	BFE20A	
CHECKED	MJK		
SCALE	1 / 1		