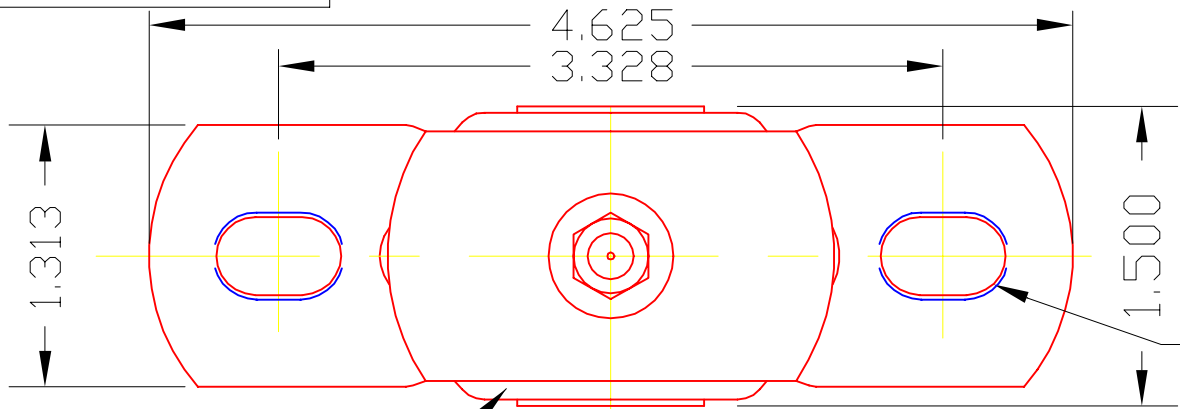
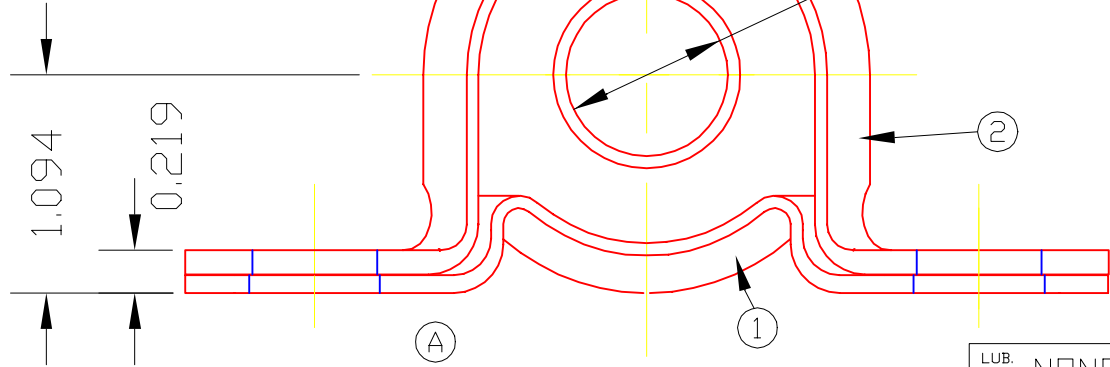
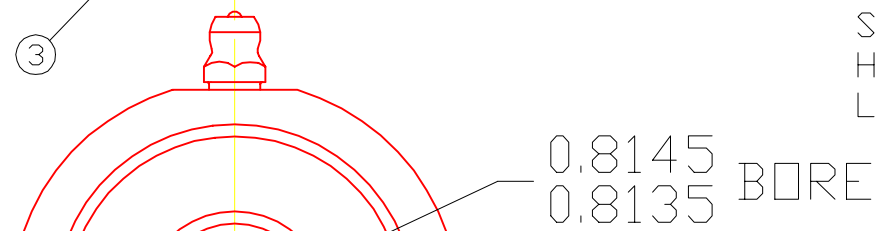


BJE13G



2 SLOTS  
0.391 WIDE X 0.594 LONG (E)

SLOTS IN BASE & CONTAINER MAY HAVE SLIGHT MISALIGNMENT IN THE LONG DIRECTION. (B)



3	E13G	BALL ASS'Y	1
2	1048	STRAP	1
1	1047	BASE	1

DET	PART NUMBER	DESCRIPTION	AMT
-----	-------------	-------------	-----

A TRIANGLE MANUFACTURING CO.  
OSHKOSH, WI.

NAME PILLOW BLOCK ASS'Y

USED IN BJ SERIES

DATE 04-05-90

PART NO.

DRAWN SP

CHECKED SP

SCALE 1 / 1

BJE13G

LUB.	NONE
PLATING	GALV.
MATERIAL	SEE DETAILS
ALL DIMS. ±.020 UNLESS OTHERWISE SPECIFIED	

CHANGE LEVEL
C 06-10-03