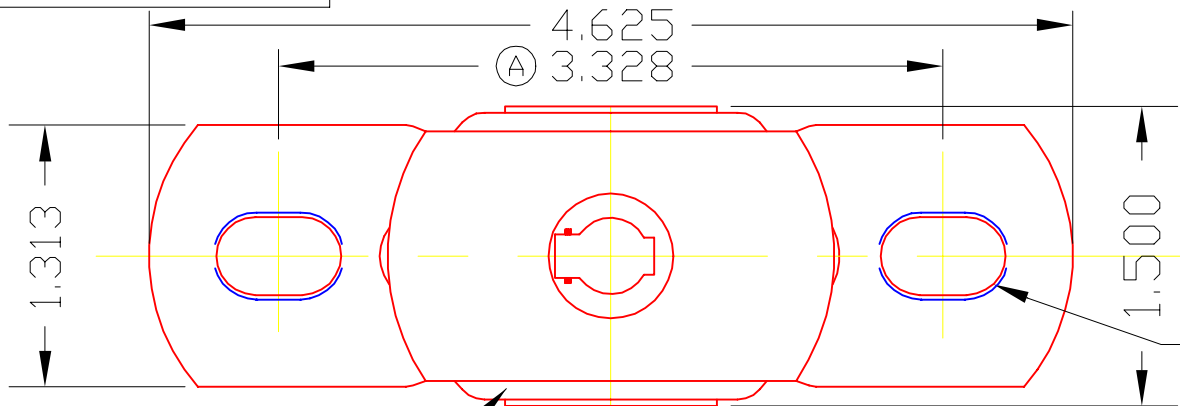
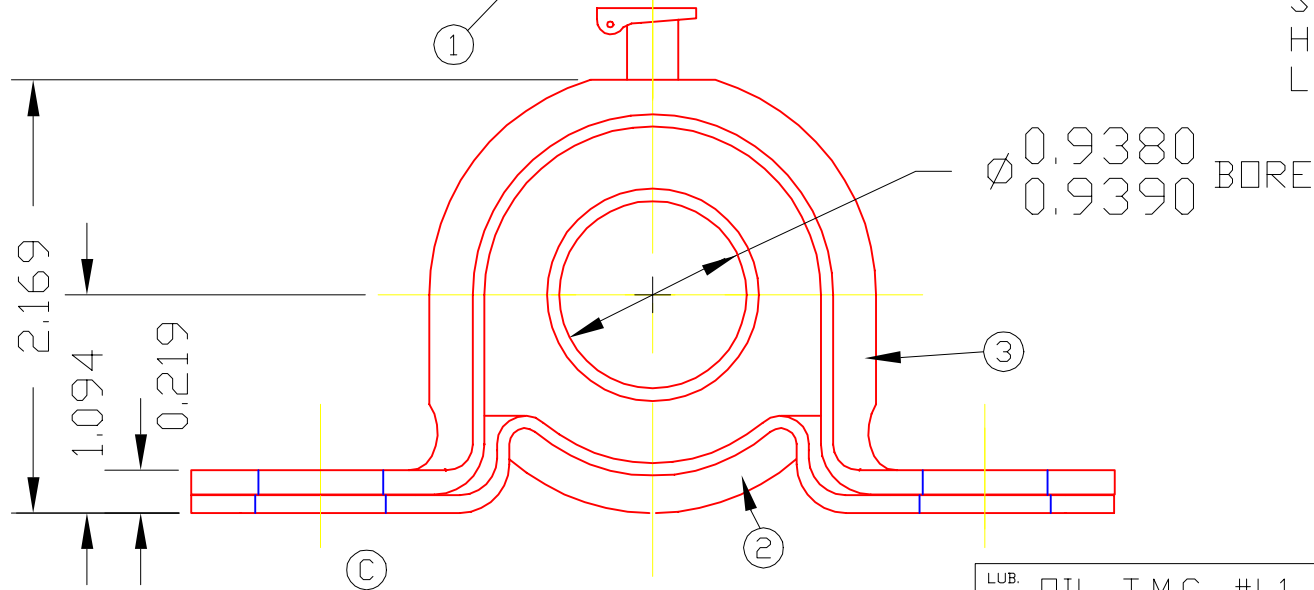


BJE15A



2 SLOTS  
0.391 WIDE X 0.594 LONG (E)

SLOTS IN BASE & CONTAINER MAY  
HAVE SLIGHT MISALIGNMENT IN THE  
LONG DIRECTION. (D)



3	E15A	BALL ASS'Y	1
2	1048	STRAP	1
1	1047	BASE	1

DET	PART NUMBER	DESCRIPTION	AMT
-----	-------------	-------------	-----

A TRIANGLE MANUFACTURING CO.  
OSHKOSH, WI.

NAME PILLOW BLOCK ASS'Y

USED IN BJ SERIES

DATE 7-31-62

PART NO.

DRAWN BW-88

CHECKED SP

SCALE 1 / 1

BJE15A

CHANGE LEVEL
E 06-10-03

LUB.	OIL T.M.C. #L1
PLATING	GALV.
MATERIAL	SEE DETAILS
ALL DIMS. $\pm 0.020$ UNLESS OTHERWISE SPECIFIED	