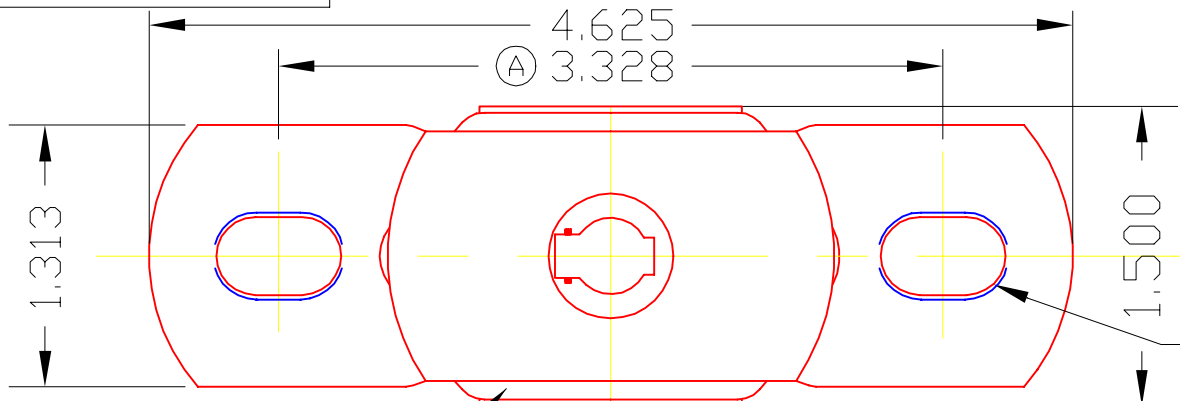
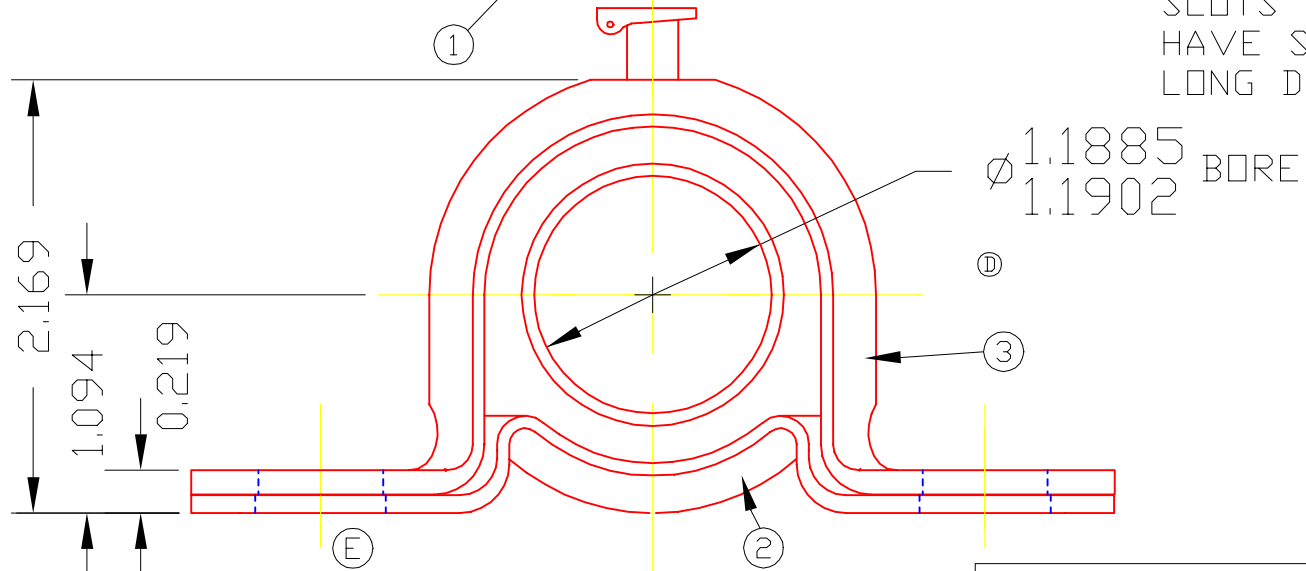


BJE19A



2 SLOTS
 0.391 WIDE X 0.594 LONG (C)

SLOTS IN BASE & CONTAINER MAY
 HAVE SLIGHT MISALIGNMENT IN THE
 LONG DIRECTION. (F)



3	E19A	BALL ASS'Y	1
2	1048	STRAP	1
1	1047	BASE	1

DET	PART NUMBER	DESCRIPTION	AMT
-----	-------------	-------------	-----

A TRIANGLE MANUFACTURING CO.
 OSHKOSH, WI.

NAME PILLOW BLOCK ASS'Y

USED IN BJ SERIES

DATE	7-31-62	PART NO.
------	---------	----------

DRAWN	BW-88
-------	-------

CHECKED	SP
---------	----

SCALE	1 / 1
-------	-------

BJE19A

CHANGE LEVEL
G 06-10-03

LUB.	OIL T.M.C. #L1
PLATING	GALV.
MATERIAL	SEE DETAILS
ALL DIMS. ±.020 UNLESS OTHERWISE SPECIFIED	