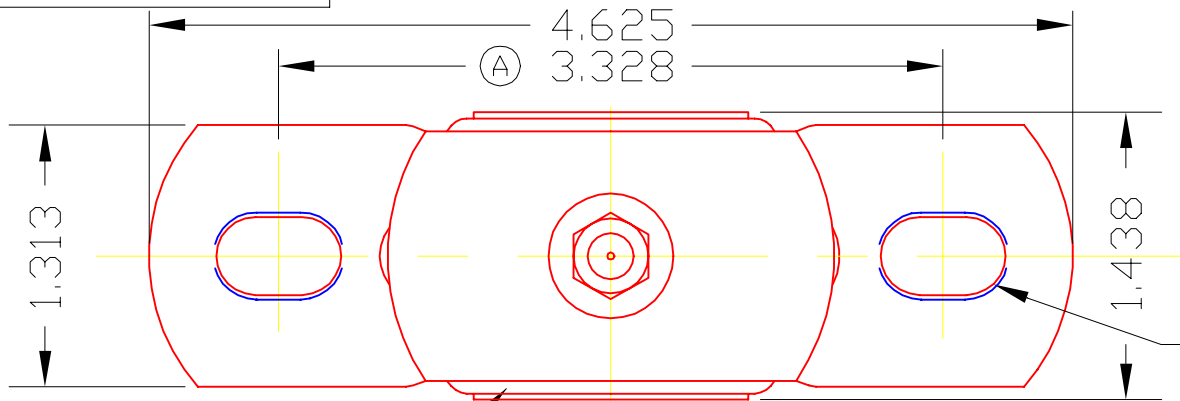
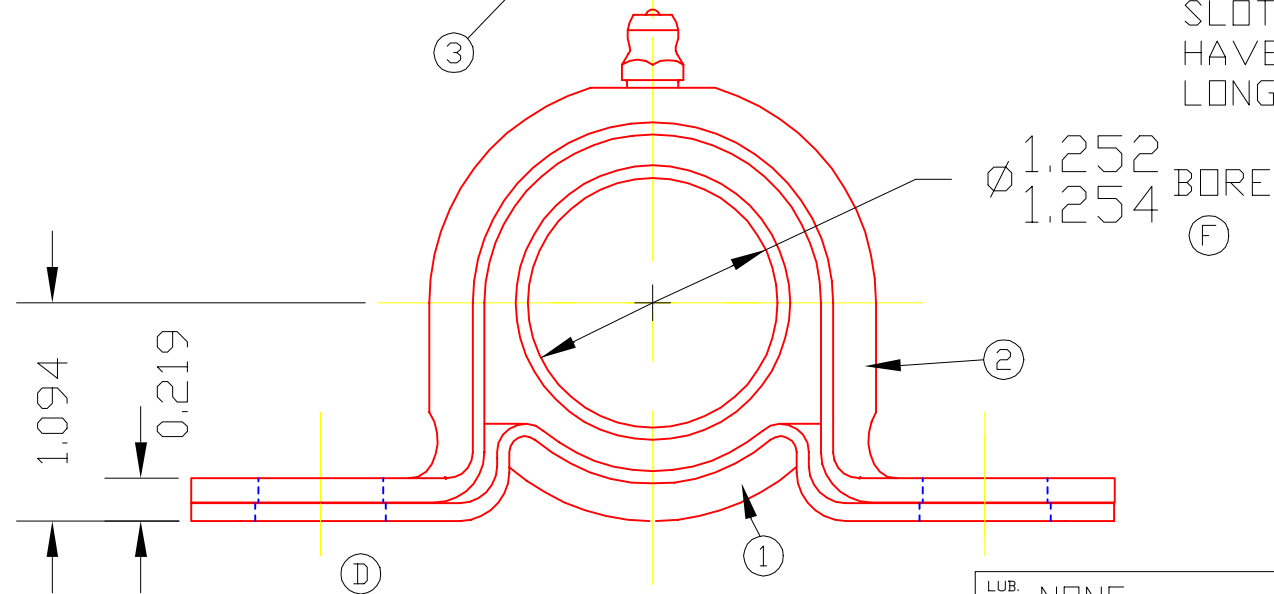


BJE20G



2 SLOTS
0.391 WIDE X 0.594 LONG (C)

SLOTS IN BASE & CONTAINER MAY
HAVE SLIGHT MISALIGNMENT IN THE
LONG DIRECTION. (E)



Ø 1.252 BORE
1.254 (F)

3	E20G	BALL ASS'Y	1
2	1048	STRAP	1
1	1047	BASE	1

DET	PART NUMBER	DESCRIPTION	AMT
-----	-------------	-------------	-----

A TRIANGLE MANUFACTURING CO.
OSHKOSH, WI.

NAME PILLOW BLOCK ASS'Y

USED IN BJ SERIES

DATE 7-8-64 PART NO.

DRAWN BW-88

CHECKED SP

SCALE 1 / 1

BJE20G

CHANGE LEVEL
G 06-10-03

LUB.	NONE
PLATING	GALV.
MATERIAL	SEE DETAILS
ALL DIMS. ±.020 UNLESS OTHERWISE SPECIFIED	