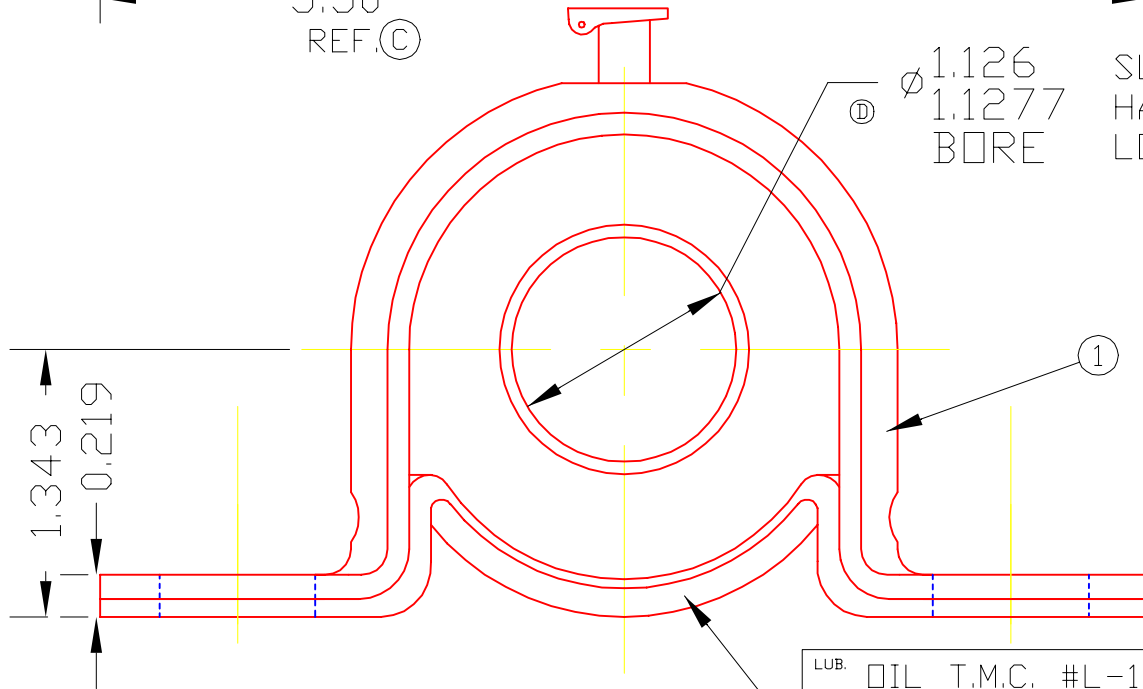
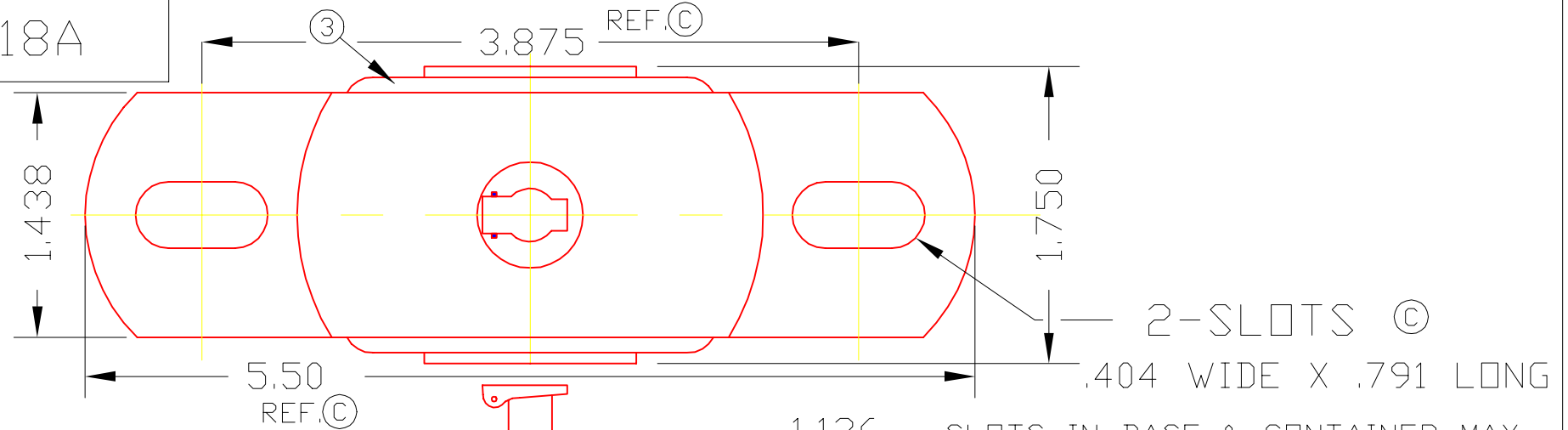


BKF18A



Ø 1.126
Ø 1.1277
BORE

SLOTS IN BASE & CONTAINER MAY HAVE SLIGHT MISALIGNMENT IN THE LONG DIRECTION. (E)

3	F18A	BALL ASS'Y	1
2	1027	BASE	1
1	1439	CONTAINER	1

DET	PART NUMBER	DESCRIPTION	AMT
-----	-------------	-------------	-----

▲ TRIANGLE MANUFACTURING CO.
OSHKOSH, WI.

NAME PILLOW BLOCK BEARING

USED IN BK SERIES

DATE 8-1-62	PART NO.
DRAWN BW-88	BKF18A
CHECKED MJK	
SCALE 1 / 1	

LUB. OIL T.M.C. #L-1
PLATING GALV.
MATERIAL SEE DETAILS
ALL DIMS. ±.020 UNLESS OTHERWISE SPECIFIED

CHANGE LEVEL
E 07-24-02