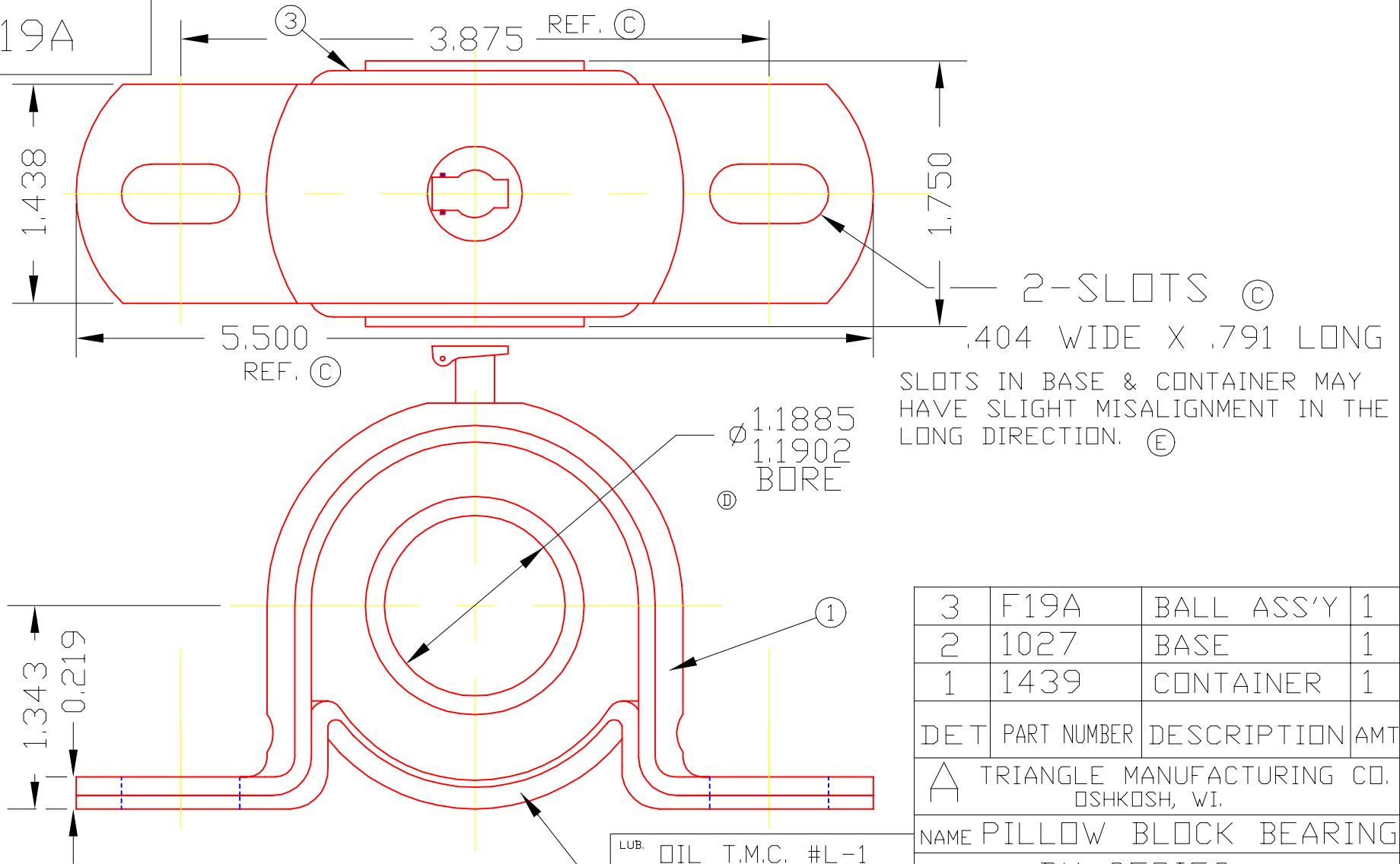


BKF19A



2-SLOTS (C)
 .404 WIDE X .791 LONG
 SLOTS IN BASE & CONTAINER MAY
 HAVE SLIGHT MISALIGNMENT IN THE
 LONG DIRECTION. (E)

3	F19A	BALL ASS'Y	1
2	1027	BASE	1
1	1439	CONTAINER	1
DET	PART NUMBER	DESCRIPTION	AMT

TRIANGLE MANUFACTURING CO.
 OSHKOSH, WI.

NAME PILLOW BLOCK BEARING

USED IN BK SERIES

DATE	8-1-62	PART NO.
DRAWN	BW-88	BKF19A
CHECKED	MJK	
SCALE	1 / 1	

LUB.	OIL T.M.C. #L-1
PLATING	GALV.
MATERIAL	SEE DETAILS
ALL DIMS. ±.020 UNLESS OTHERWISE SPECIFIED	

CHANGE LEVEL
E 07-29-02