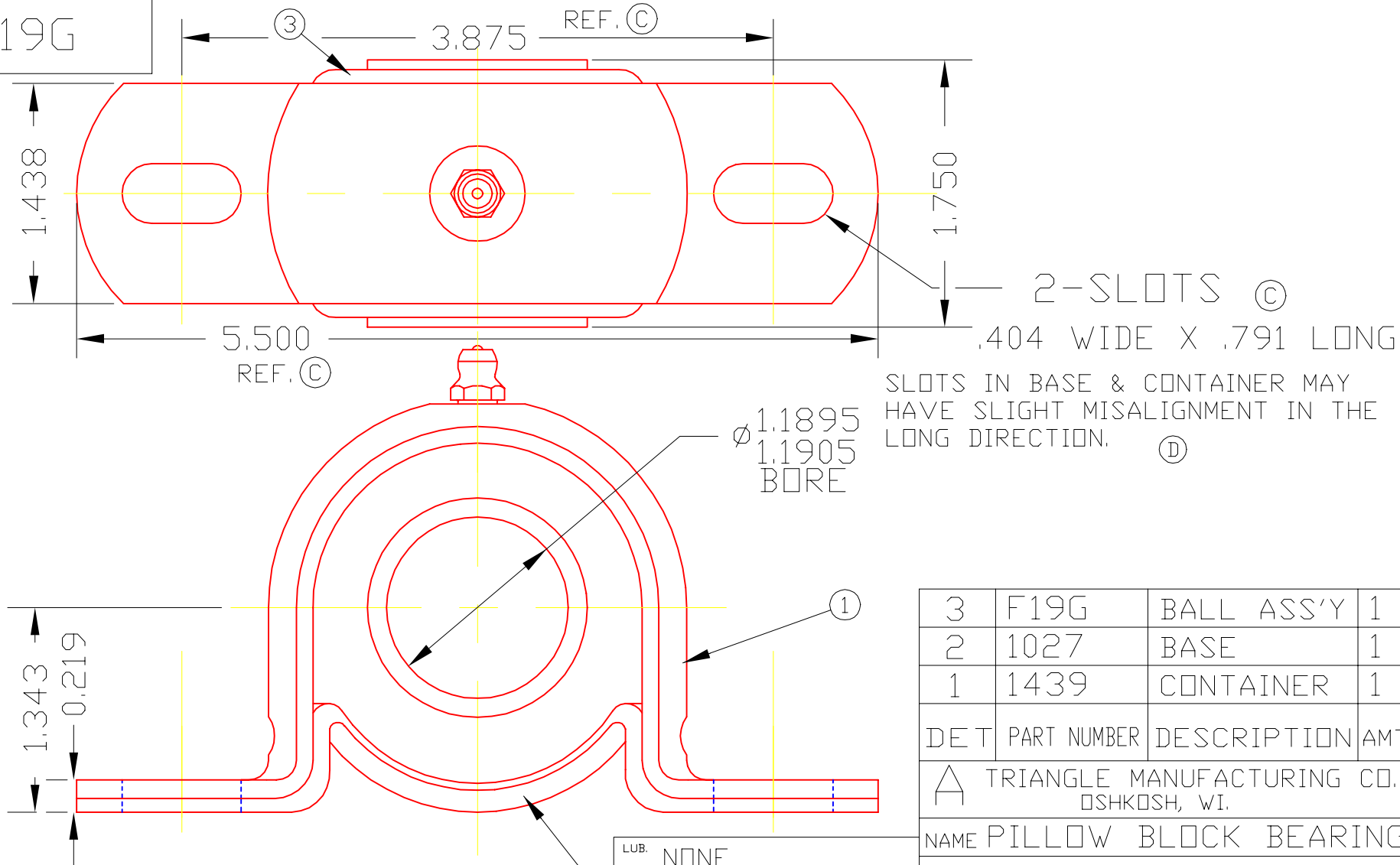


BKF19G



2-SLOTS ©

.404 WIDE X .791 LONG

SLOTS IN BASE & CONTAINER MAY HAVE SLIGHT MISALIGNMENT IN THE LONG DIRECTION. ©

Ø 1.1895  
1.1905  
BORE

3	F19G	BALL ASS'Y	1
2	1027	BASE	1
1	1439	CONTAINER	1

DET	PART NUMBER	DESCRIPTION	AMT
-----	-------------	-------------	-----

▲ TRIANGLE MANUFACTURING CO.  
OSHKOSH, WI.

NAME PILLOW BLOCK BEARING

USED IN BK SERIES

DATE	8-1-62	PART NO.
------	--------	----------

DRAWN	BW-88
CHECKED	MJK

SCALE	1 / 1	BKF19G
-------	-------	--------

LUB. NONE

PLATING GALV.

MATERIAL SEE DETAILS

ALL DIMS. ±.020 UNLESS OTHERWISE SPECIFIED

CHANGE LEVEL
D 07-29-02