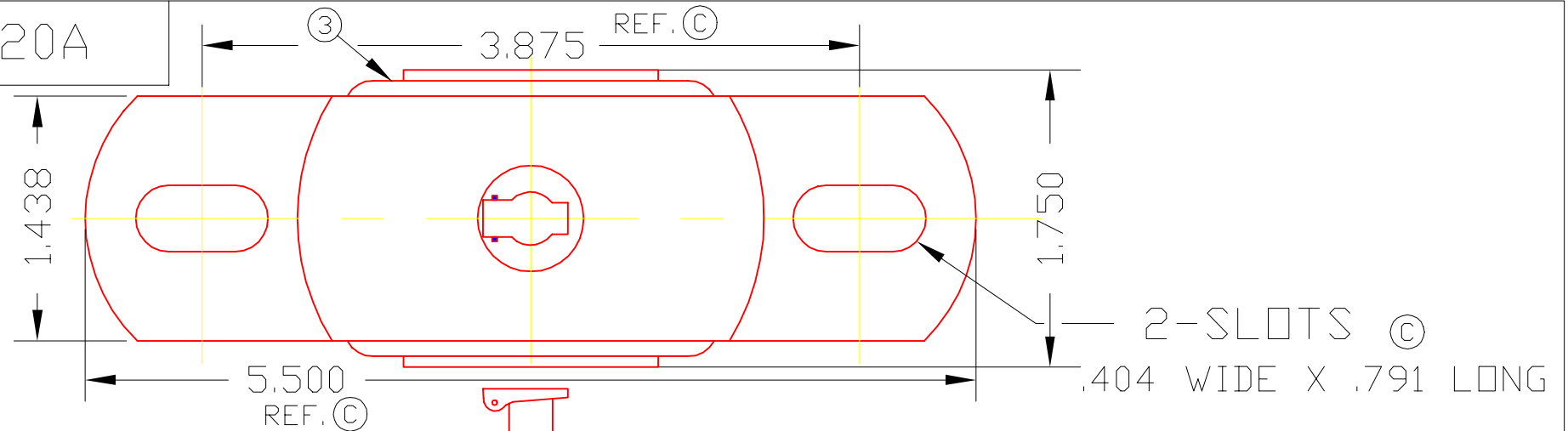
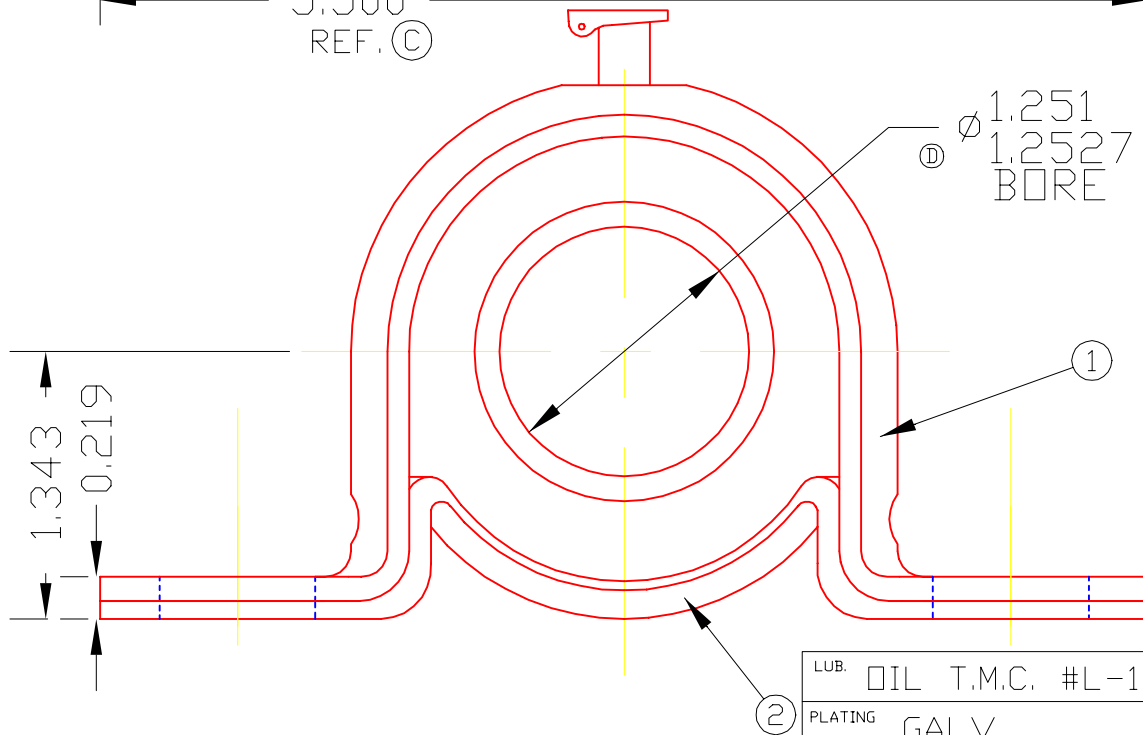


BKF 20A



SLOTS IN BASE & CONTAINER MAY HAVE SLIGHT MISALIGNMENT IN THE LONG DIRECTION. (E)



3	F20A	BALL ASS'Y	1
2	1027	BASE	1
1	1439	CONTAINER	1

DET	PART NUMBER	DESCRIPTION	AMT
-----	-------------	-------------	-----

A TRIANGLE MANUFACTURING CO.
OSHKOSH, WI.

NAME PILLOW BLOCK BEARING

USED IN BK SERIES

DATE 8-1-62

PART NO.

DRAWN BW-88

CHECKED MJK

SCALE 1 / 1

BKF 20A

CHANGE LEVEL
E 07-30-02

LUB.	OIL T.M.C. #L-1
PLATING	GALV.
MATERIAL	SEE DETAILS
ALL DIMS. ±.020 UNLESS OTHERWISE SPECIFIED	