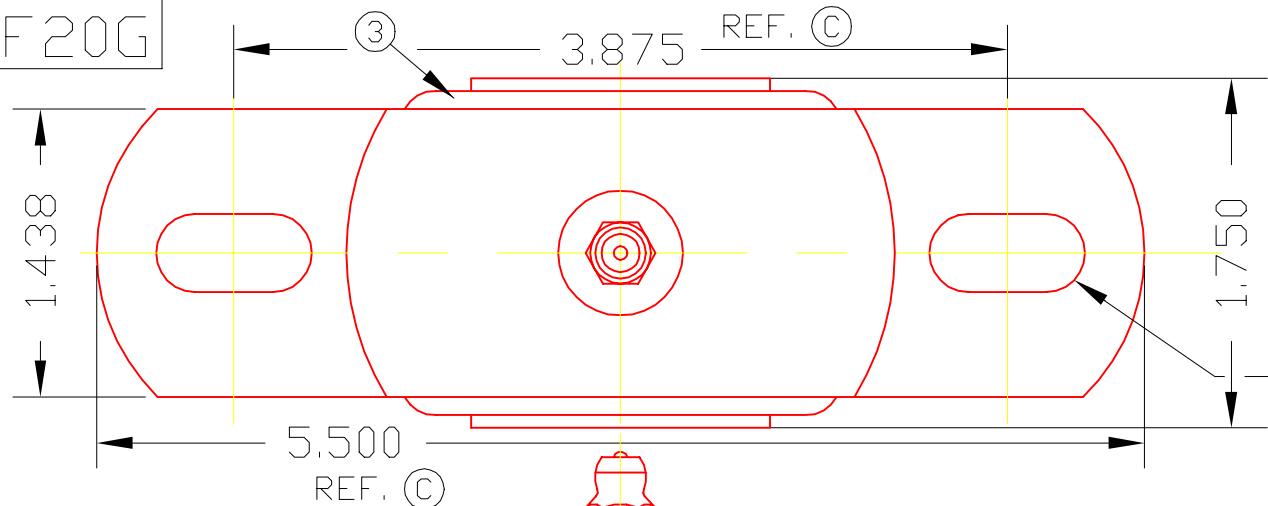


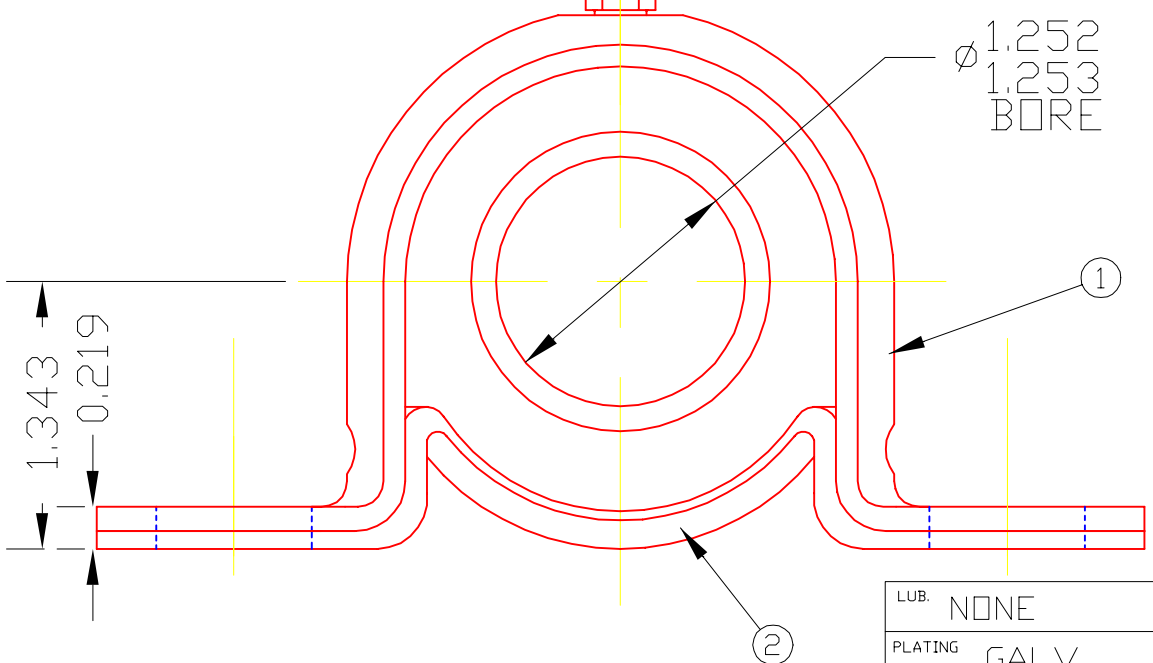
BKF 20G



2-SLOTS (C)

.404 WIDE X .791 LONG

SLOTS IN BASE & CONTAINER MAY HAVE SLIGHT MISALIGNMENT IN THE LONG DIRECTION. (D)



3	F20G	BALL ASS'Y	1
2	1027	BASE	1
1	1439	CONTAINER	1
DET	PART NUMBER	DESCRIPTION	AMT

TRIANGLE MANUFACTURING CO.
OSHKOSH, WI.

NAME PILLOW BLOCK BEARING

USED IN BK SERIES

DATE 8-1-62 PART NO.

DRAWN BW-88
CHECKED MJK
SCALE 1 / 1

BKF 20G

LUB.	NONE
PLATING	GALV.
MATERIAL	SEE DETAILS
ALL DIMS. ±.020 UNLESS OTHERWISE SPECIFIED	

CHANGE LEVEL
D 07-29-02