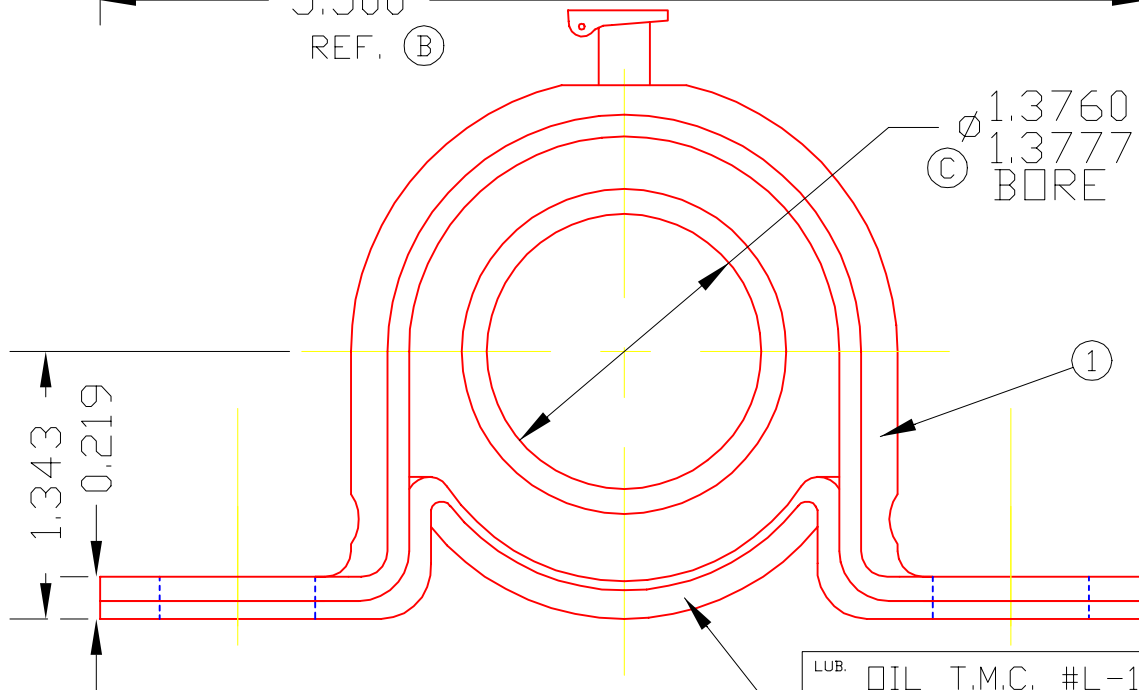
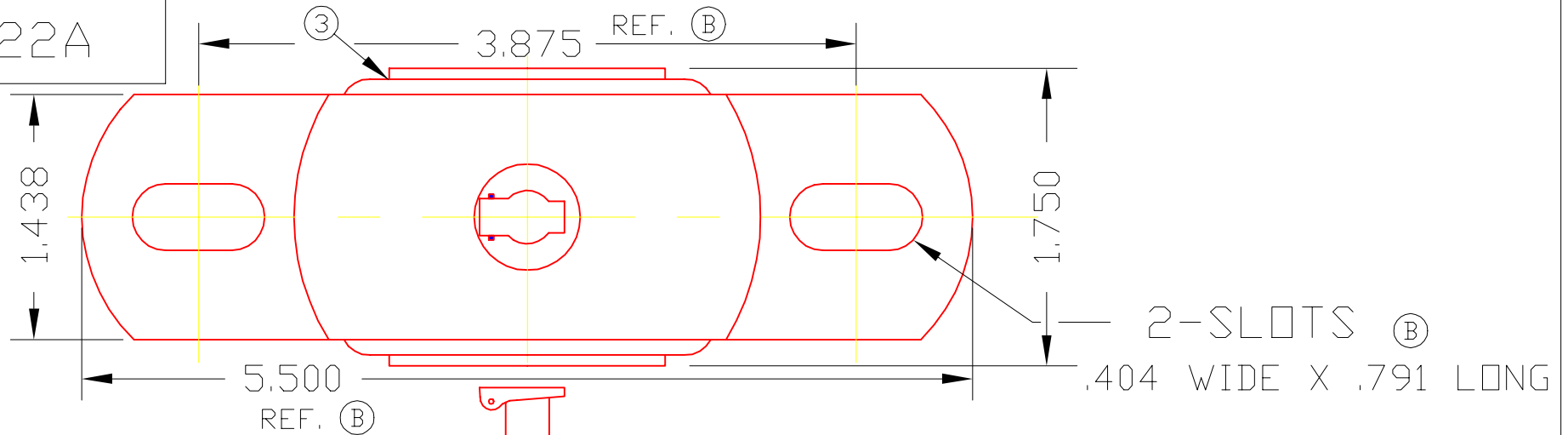


BKF22A



SLOTS IN BASE & CONTAINER MAY HAVE SLIGHT MISALIGNMENT IN THE LONG DIRECTION. (D)

3	F22A	BALL ASS'Y	1
2	1027	BASE	1
1	1439	CONTAINER	1

DET	PART NUMBER	DESCRIPTION	AMT
-----	-------------	-------------	-----

A TRIANGLE MANUFACTURING CO.  
OSHKOSH, WI.

NAME PILLOW BLOCK BEARING

USED IN BK SERIES

DATE 5-1-75

DRAWN BW-88

CHECKED MJK

SCALE 1 / 1

PART NO.

BKF22A

CHANGE LEVEL
D 07-29-02

LUB.	OIL T.M.C. #L-1
PLATING	GALV.
MATERIAL	SEE DETAILS
ALL DIMS. ±.020 UNLESS OTHERWISE SPECIFIED	