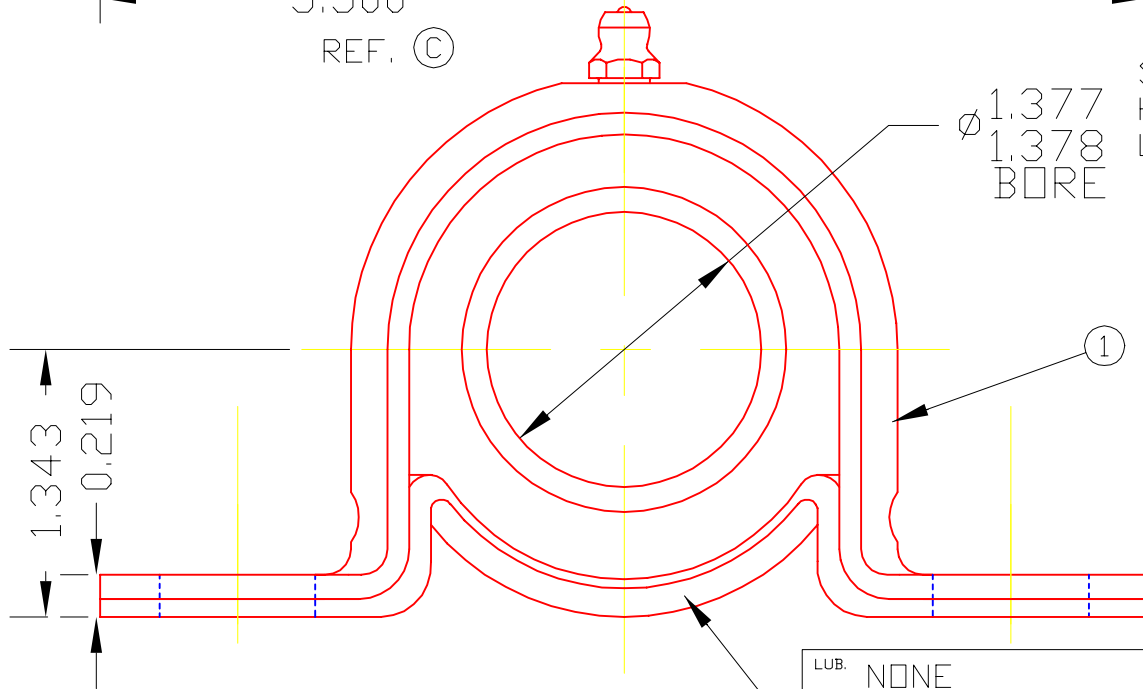
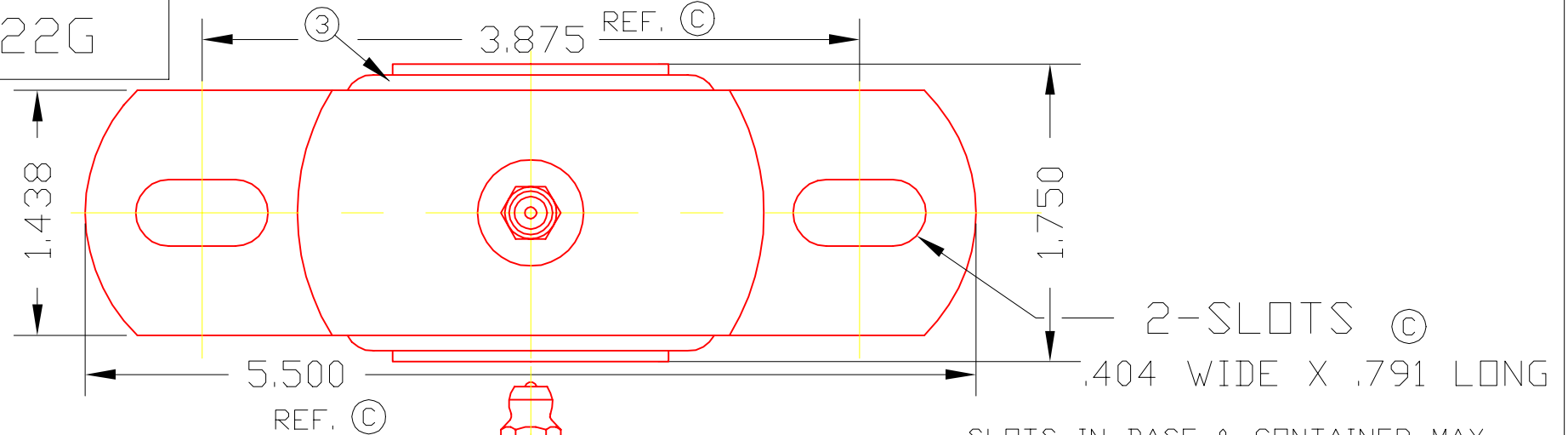


BKF 22G



SLOTS IN BASE & CONTAINER MAY HAVE SLIGHT MISALIGNMENT IN THE LONG DIRECTION. (D)

3	F22G	BALL ASS'Y	1
2	1027	BASE	1
1	1439	CONTAINER	1

DET	PART NUMBER	DESCRIPTION	AMT
-----	-------------	-------------	-----

A TRIANGLE MANUFACTURING CO.
OSHKOSH, WI.

NAME PILLOW BLOCK BEARING

USED IN BK SERIES

DATE	8-23-63	PART NO.
------	---------	----------

DRAWN	BW-88
CHECKED	MJK

SCALE	1 / 1	BKF 22G
-------	-------	---------

LUB.	NONE
PLATING	GALV.
MATERIAL	SEE DETAILS
ALL DIMS. ±.020 UNLESS OTHERWISE SPECIFIED	

CHANGE LEVEL
D 07-30-02