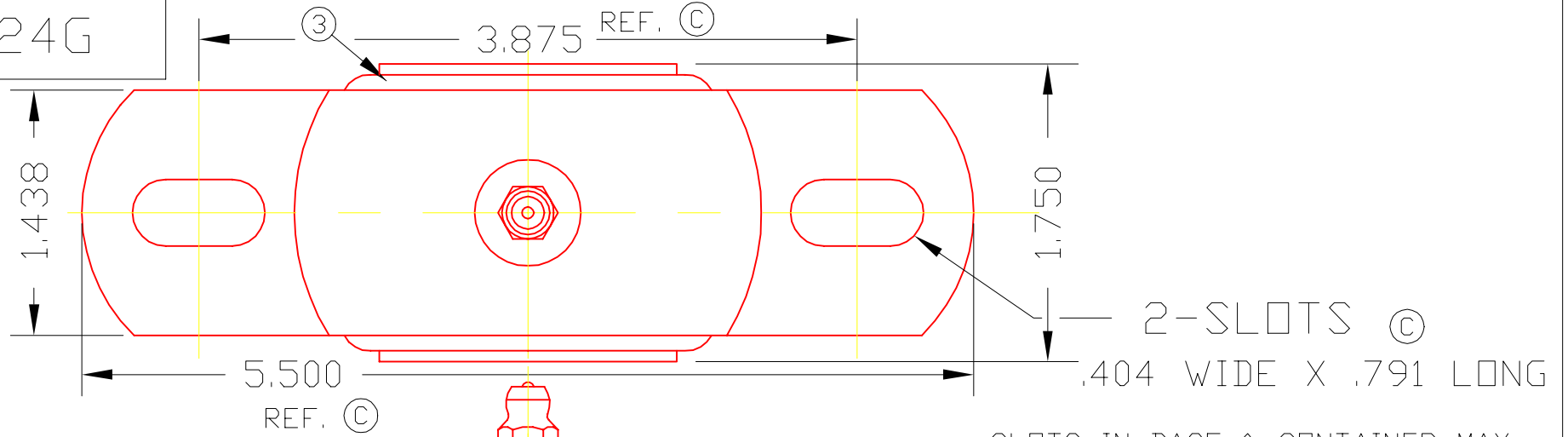
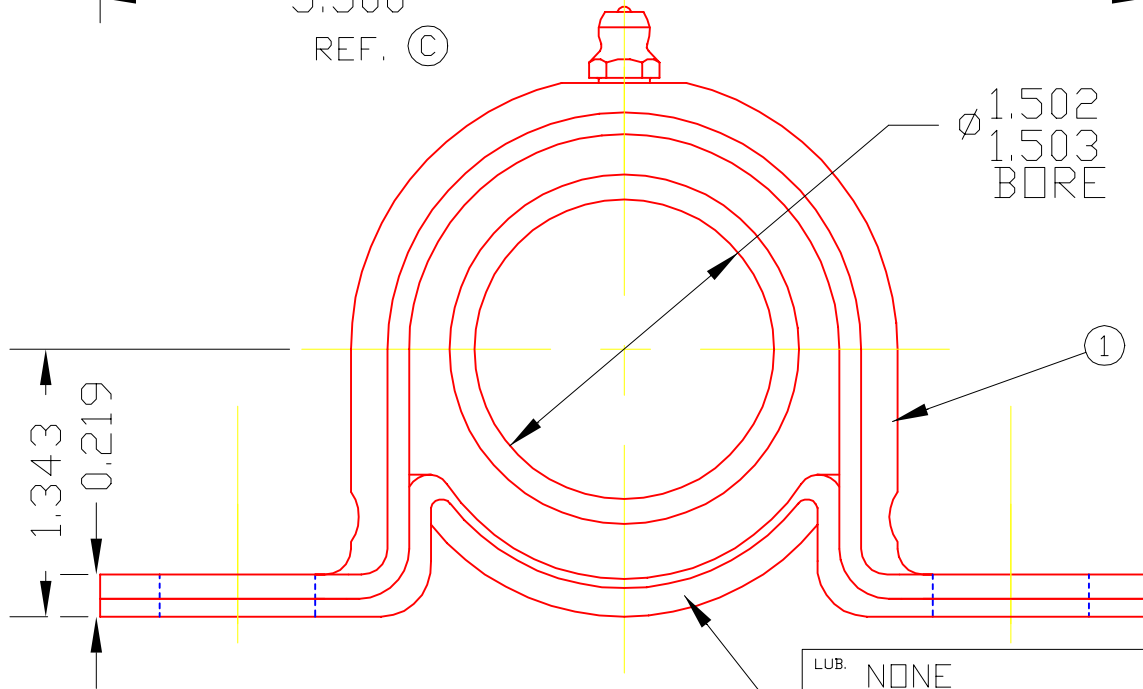


BKF24G



SLOTS IN BASE & CONTAINER MAY HAVE SLIGHT MISALIGNMENT IN THE LONG DIRECTION. (D)



3	F24G	BALL ASS'Y	1
2	1027	BASE	1
1	1439	CONTAINER	1
DET	PART NUMBER	DESCRIPTION	AMT

TRIANGLE MANUFACTURING CO.
OSHKOSH, WI.

NAME PILLOW BLOCK BEARING

USED IN BK SERIES

DATE	8-1-62	PART NO.	BKF24G
DRAWN	BW-88		
CHECKED	MJK		
SCALE	1 / 1		

LUB.	NONE
PLATING	GALV.
MATERIAL	SEE DETAILS
ALL DIMS. ±.020 UNLESS OTHERWISE SPECIFIED	

CHANGE LEVEL
D 07-30-02