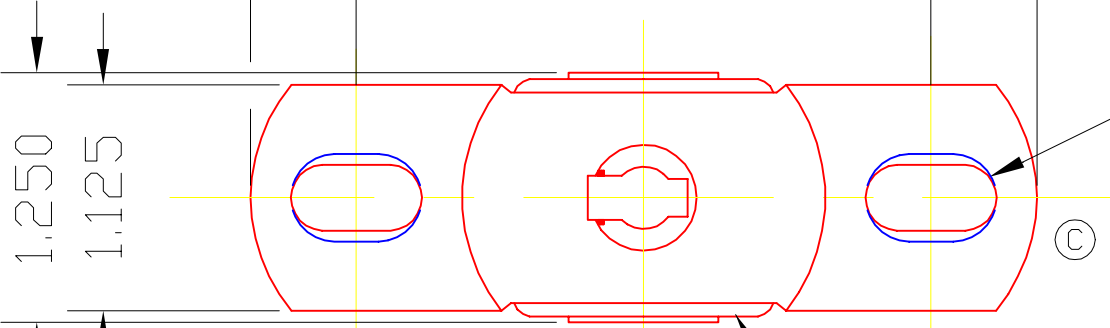


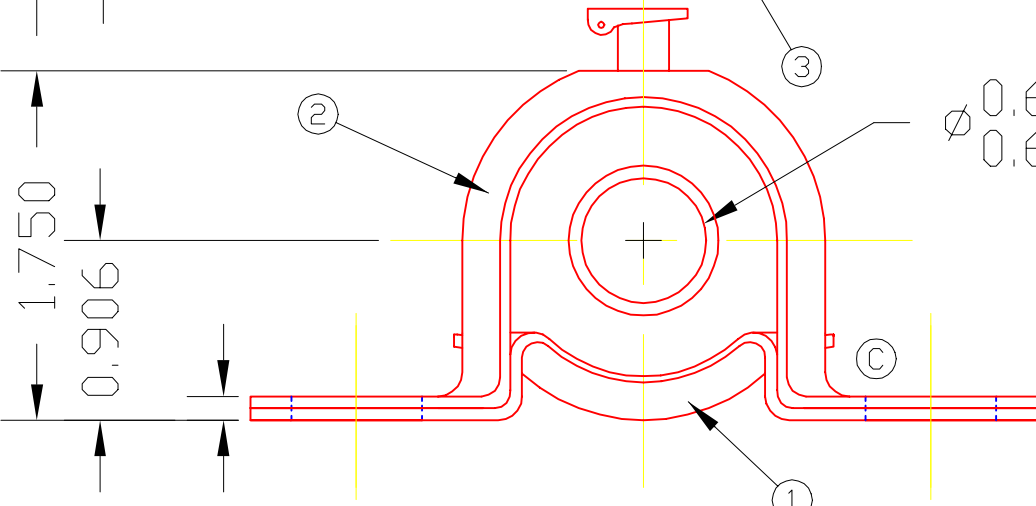
BBH10A

3.938 REF. (B)  
2.875 REF.



2 SLOTS - 0.328 WIDE X 0.656 LONG

SLOTS IN BASE & CONTAINER MAY HAVE SLIGHT MISALIGNMENT IN THE LONG DIRECTION. (D)



$\varnothing 0.6255$   
 $\varnothing 0.6265$  BORE

3	H10A	BALL ASS'Y	1
2	1040	CONTAINER	1
1	1041	BRACKET	1

DET	PART NUMBER	DESCRIPTION	AMT
-----	-------------	-------------	-----

A TRIANGLE MANUFACTURING CO.  
OSHKOSH, WI.

NAME PILLLOW BLOCK BEARING

USED IN // // //

DATE 3-14-60 PART NO.

DRAWN BW-88

CHECKED SP

SCALE 1 / 1

BBH10A

CHANGE LEVEL	
D	07-11-02

LUB.	OIL T.M.C. #L-1
PLATING	GALV
MATERIAL	SEE DETAILS
ALL DIMS.	±.020 UNLESS OTHERWISE SPECIFIED

(A)