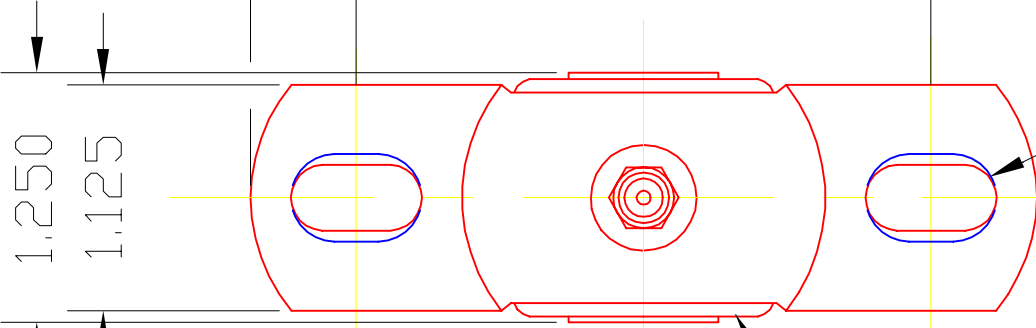


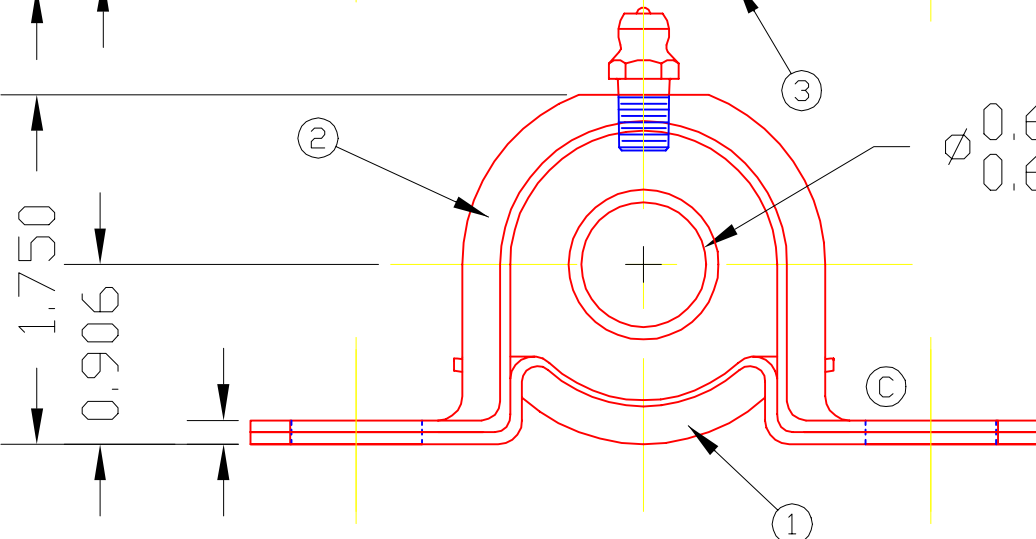
BBH10G

3.938 REF. (B)  
2.875 REF.



2 SLOTS - 0.328 WIDE X 0.656 LONG

SLOTS IN BASE & CONTAINER MAY HAVE SLIGHT MISALIGNMENT IN THE LONG DIRECTION. (D)



Ø 0.626 BORE  
Ø 0.627 BORE

3	H10G	BALL ASS'Y	1
2	1040	CONTAINER	1
1	1041	BRACKET	1

DET	PART NUMBER	DESCRIPTION	AMT
A TRIANGLE MANUFACTURING CO. OSHKOSH, WI.			
NAME PILLLOW BLOCK BEARING			

LUB.	NONE
PLATING	GALV
MATERIAL	SEE DETAILS
ALL DIMS. ±.020 UNLESS OTHERWISE SPECIFIED	

USED IN	////
DATE	3-11-60
DRAWN	BW-88
CHECKED	SP
SCALE	1 / 1
PART NO. BBH10G	

CHANGE LEVEL	
D	07-11-02