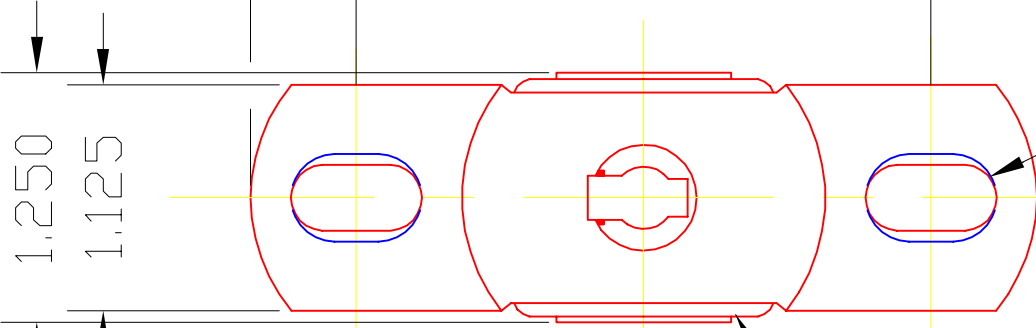


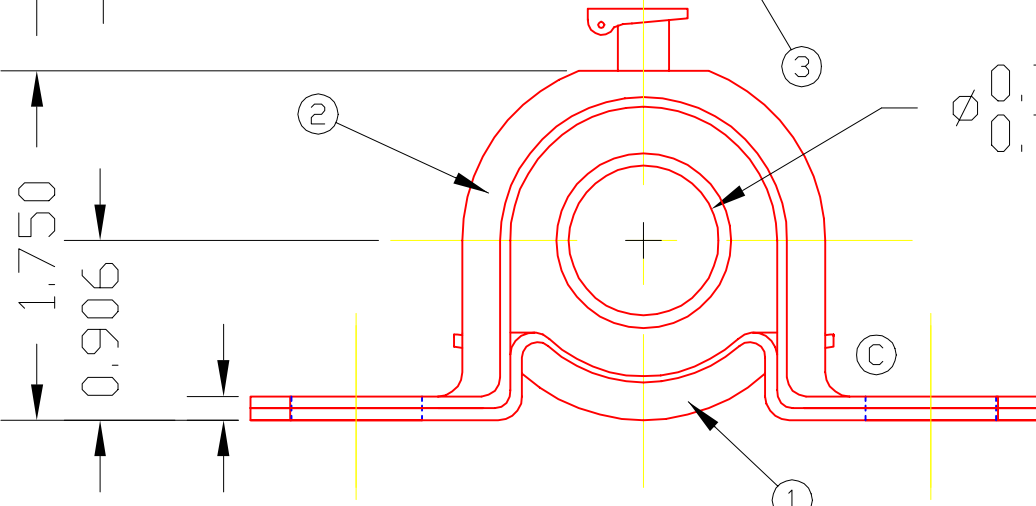
BBH12A

3.938 REF. (B)  
2.875 REF.



2 SLOTS - 0.328 WIDE X 0.656 LONG

SLOTS IN BASE & CONTAINER MAY HAVE SLIGHT MISALIGNMENT IN THE LONG DIRECTION. (D)



Ø 0.7505 BORE  
0.7515

3	H12A	BALL ASS'Y	1
2	1040	CONTAINER	1
1	1041	BRACKET	1
DET	PART NUMBER	DESCRIPTION	AMT

A TRIANGLE MANUFACTURING CO.  
OSHKOSH, WI.

NAME PILLLOW BLOCK BEARING

USED IN // // //

DATE 11-17-59

PART NO.

DRAWN BW-88

CHECKED SP

SCALE 1 / 1

BBH12A

(A)

LUB.	OIL T.M.C. #L-1
PLATING	GALV
MATERIAL	SEE DETAILS
ALL DIMS. ±.020 UNLESS OTHERWISE SPECIFIED	

CHANGE LEVEL	
D	07-11-02