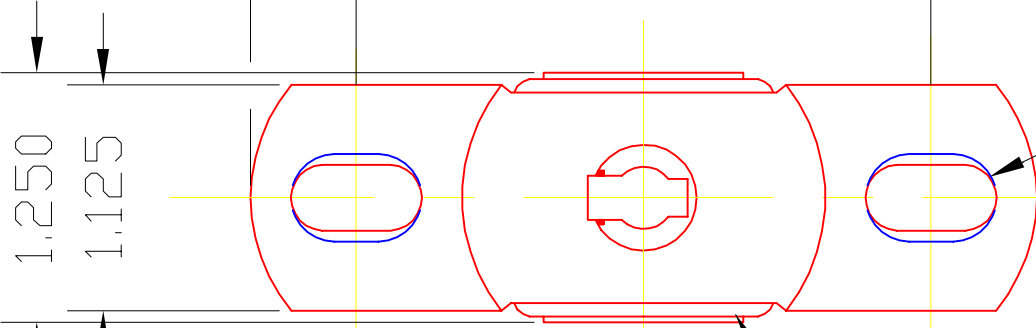


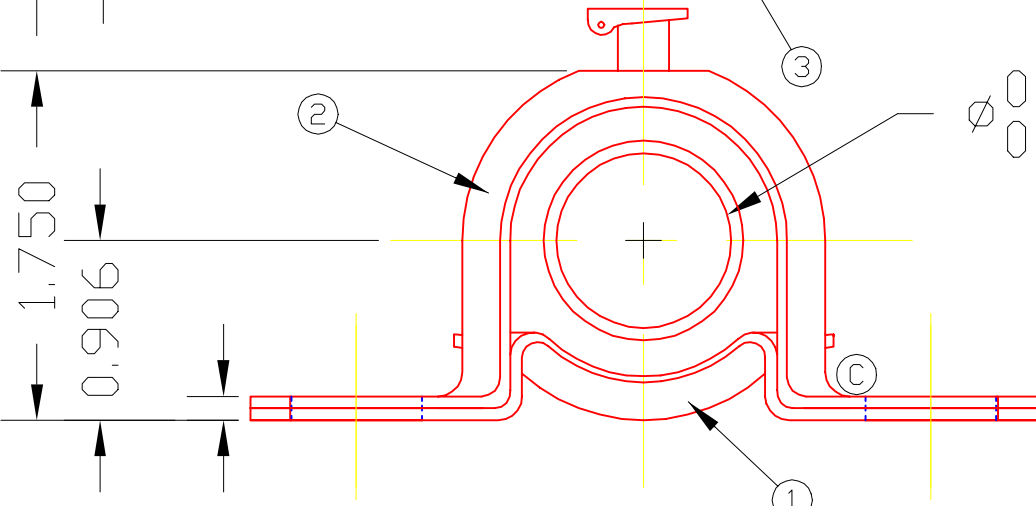
BBH14A

3.938 REF. (B)  
2.875 REF.



2 SLOTS - 0.328 WIDE X 0.656 LONG

SLOTS IN BASE & CONTAINER MAY HAVE SLIGHT MISALIGNMENT IN THE LONG DIRECTION. (D)



Ø 0.8755 BORE  
0.8765

3	H14A	BALL ASS'Y	1
2	1040	CONTAINER	1
1	1041	BRACKET	1
DET	PART NUMBER	DESCRIPTION	AMT

A TRIANGLE MANUFACTURING CO.  
OSHKOSH, WI.

NAME PILLLOW BLOCK BEARING

USED IN	////
DATE	3-14-60
DRAWN	BW-88
CHECKED	SP
SCALE	1 / 1

BBH14A

CHANGE LEVEL	DATE
D	07-11-02

LUB.	OIL T.M.C. #L-1
PLATING	GALV
MATERIAL	SEE DETAILS
ALL DIMS. ±.020 UNLESS OTHERWISE SPECIFIED	