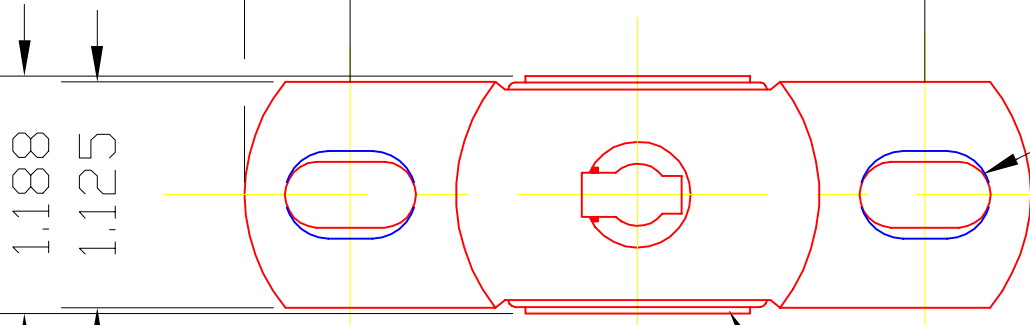


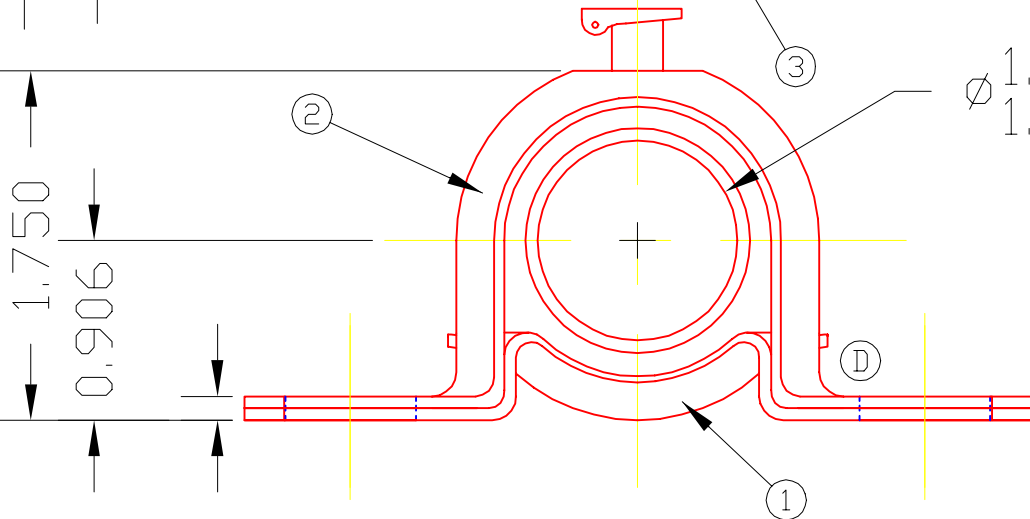
BBH16A

3.938 REF. (C)
2.875 REF.



2 SLOTS - 0.328 WIDE X 0.656 LONG

SLOTS IN BASE & CONTAINER MAY HAVE SLIGHT MISALIGNMENT IN THE LONG DIRECTION. (E)



3	H16A	BALL ASS'Y	1
2	1040	CONTAINER	1
1	1041	BRACKET	1

DET	PART NUMBER	DESCRIPTION	AMT
-----	-------------	-------------	-----

A TRIANGLE MANUFACTURING CO.
OSHKOSH, WI.

NAME PILLLOW BLOCK BEARING

USED IN // // //

DATE 3-14-60	PART NO.
--------------	----------

DRAWN BW-88

CHECKED SP

SCALE 1 / 1

BBH16A

(A)

LUB.	OIL T.M.C. #L-1
PLATING	GALV
MATERIAL	SEE DETAILS
ALL DIMS. ±.020 UNLESS OTHERWISE SPECIFIED	

CHANGE LEVEL
E 07-11-02