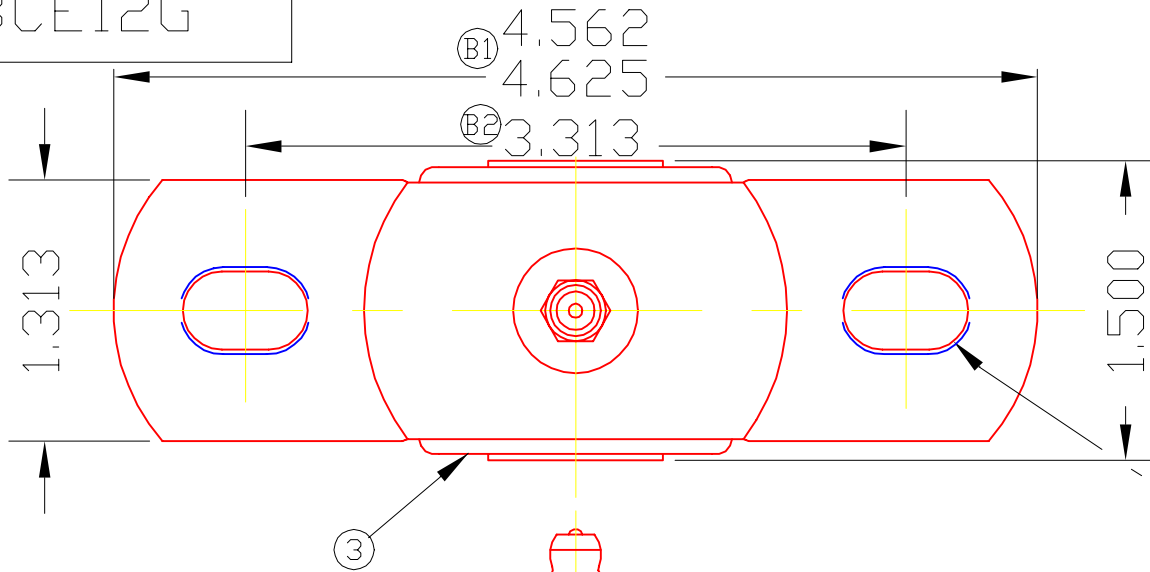
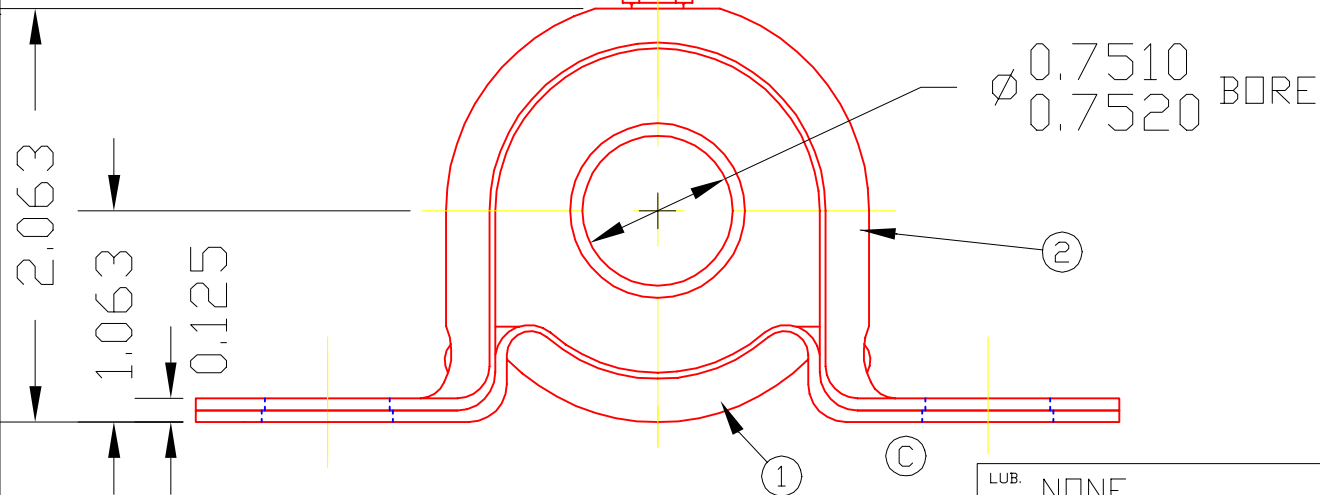


BCE12G



SLOTS IN BASE & CONTAINER MAY HAVE SLIGHT MISALIGNMENT IN THE LONG DIRECTION. (D)

2 SLOTS
0.391 WIDE X 0.625 LONG



3	E12G	BALL ASS'Y	1
2	1044	CONTAINER	1
1	1045	BRACKET	1

DET	PART NUMBER	DESCRIPTION	AMT
-----	-------------	-------------	-----

A TRIANGLE MANUFACTURING CO.
OSHKOSH, WI.

NAME PILLOW BLOCK BEARING

USED IN // // //

DATE	12-15-59	PART NO.
------	----------	----------

DRAWN	BW-88
-------	-------

CHECKED	MJK
---------	-----

SCALE	1 / 1
-------	-------

BCE12G

CHANGE LEVEL
D 07-12-02

(A) LUB.	NONE
PLATING	GALV
MATERIAL	SEE DETAILS
ALL DIMS. ± 0.020 UNLESS OTHERWISE SPECIFIED	