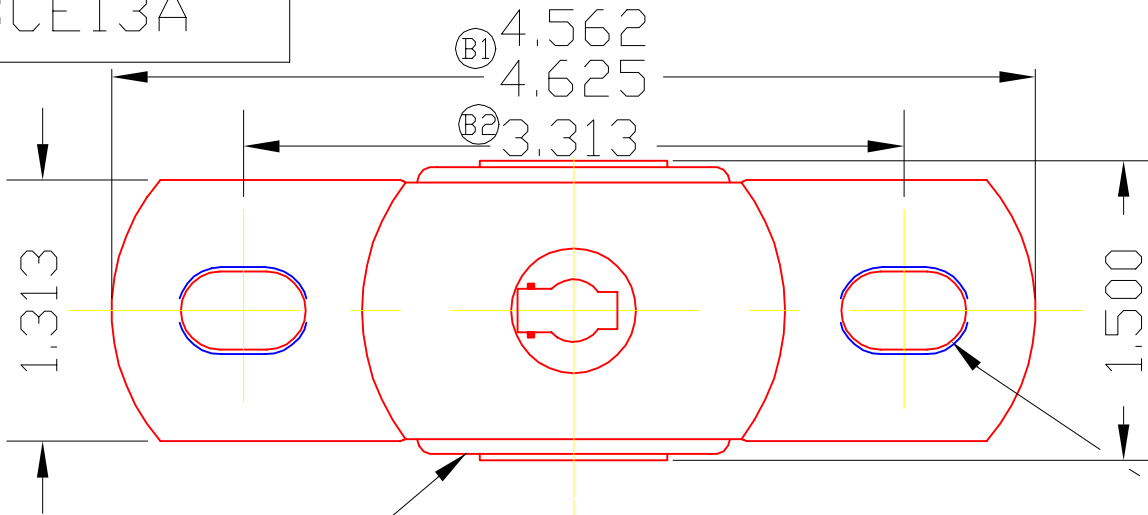
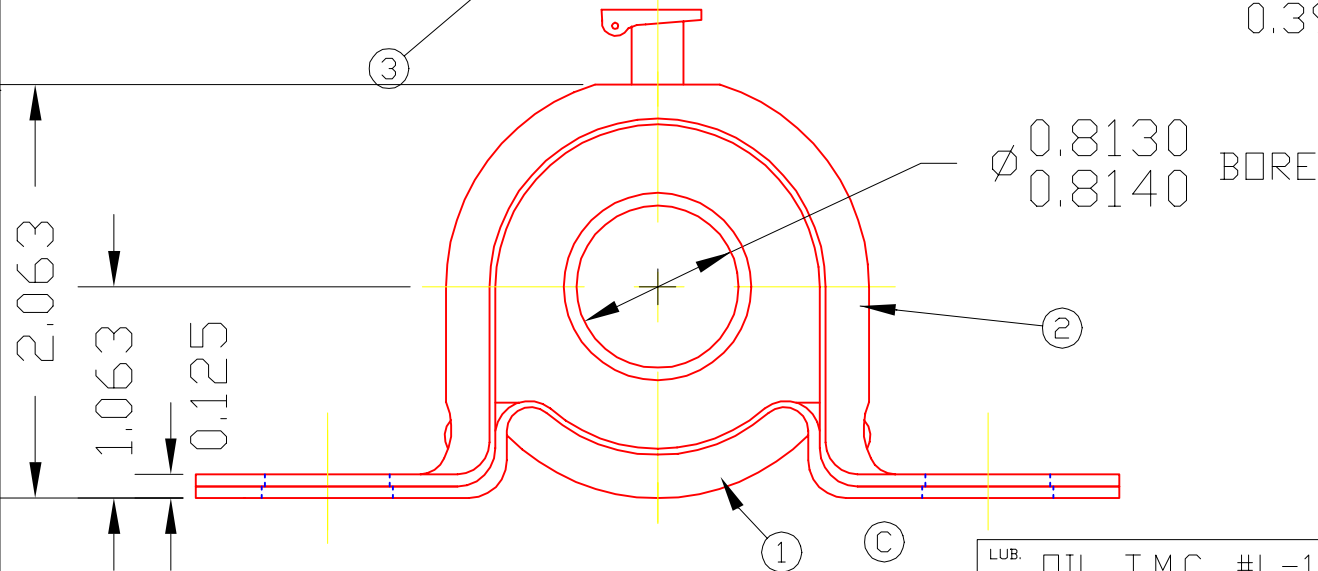


BCE13A



SLOTS IN BASE & CONTAINER MAY HAVE SLIGHT MISALIGNMENT IN THE LONG DIRECTION. (D)

2 SLOTS
0.391 WIDE X 0.625 LONG



3	E13A	BALL ASS'Y	1
2	1044	CONTAINER	1
1	1045	BRACKET	1

DET	PART NUMBER	DESCRIPTION	AMT
-----	-------------	-------------	-----

A TRIANGLE MANUFACTURING CO.
OSHKOSH, WI.

NAME PILLOW BLOCK BEARING

LUB. OIL T.M.C. #L-1		PART NO. BCE13A
PLATING GALV		
MATERIAL SEE DETAILS		
ALL DIMS. ±.020 UNLESS OTHERWISE SPECIFIED		
SCALE 1 / 1		
USED IN	////	
DATE	1-4-60	
DRAWN	BW-88	
CHECKED	MJK	

CHANGE LEVEL
D 07-11-02