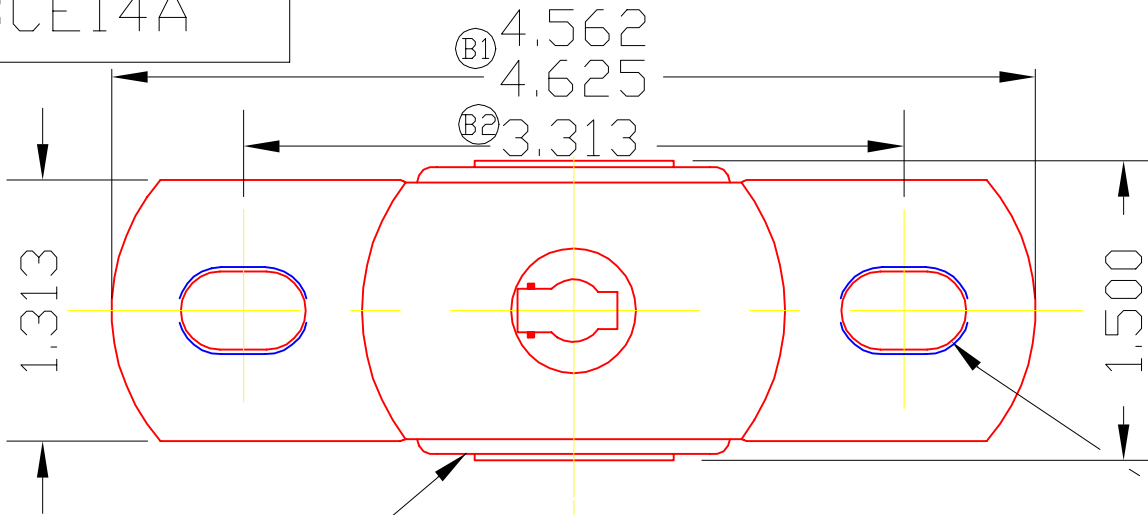
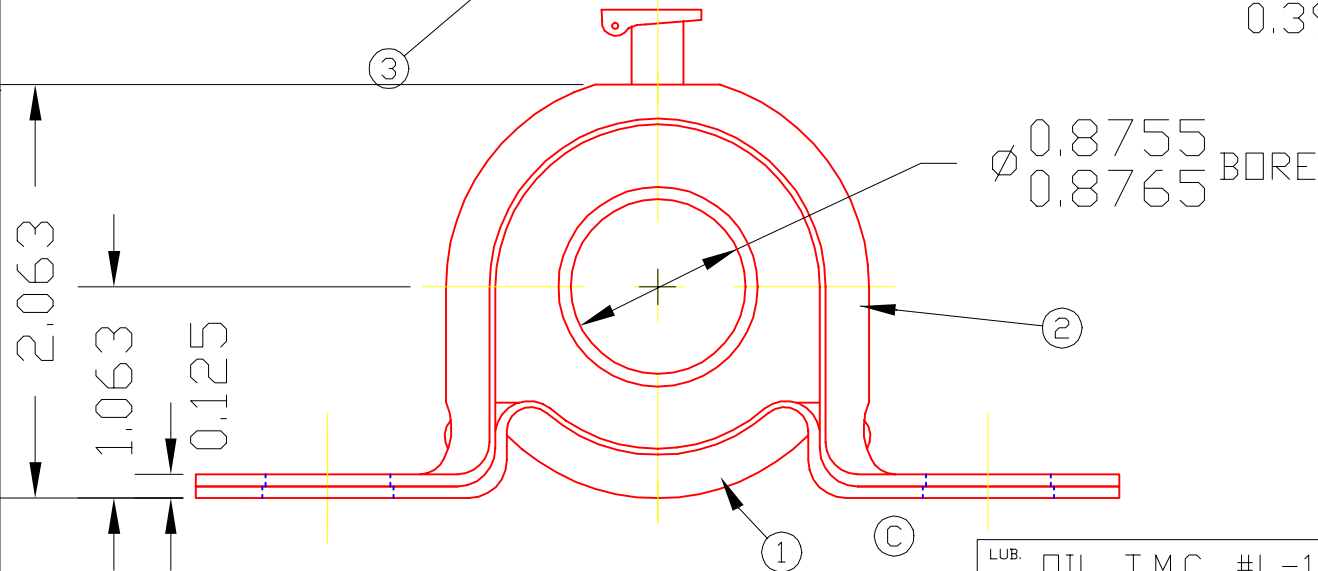


BCE14A



SLOTS IN BASE & CONTAINER MAY HAVE SLIGHT MISALIGNMENT IN THE LONG DIRECTION. (D)

2 SLOTS
0.391 WIDE X 0.625 LONG



3	E14A	BALL ASS'Y	1
2	1044	CONTAINER	1
1	1045	BRACKET	1
DET	PART NUMBER	DESCRIPTION	AMT

A TRIANGLE MANUFACTURING CO.
OSHKOSH, WI.

NAME PILLOW BLOCK BEARING

LUB. OIL T.M.C. #L-1		PART NO. BCE14A
PLATING GALV		
MATERIAL SEE DETAILS		
ALL DIMS. \pm .020 UNLESS OTHERWISE SPECIFIED		
SCALE 1 / 1		
USED IN	////	
DATE	1-4-60	
DRAWN	BW-88	
CHECKED	MJK	

CHANGE LEVEL	
D	07-11-02